

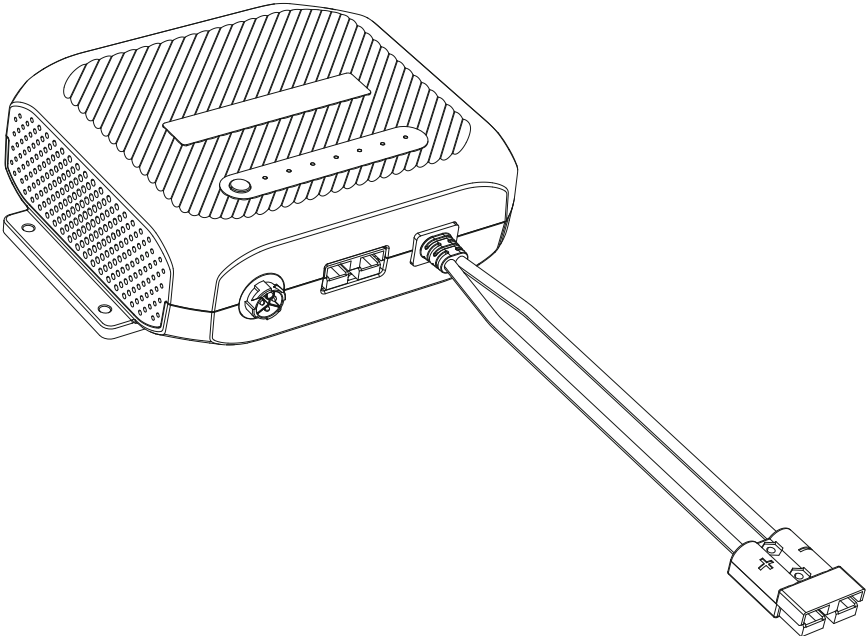
D40

DC-DC Battery Charger

User Manual v2.0

Please read this manual carefully before use and keep it for future reference.





Thank You!

Thank you for making BLUETTI a part of your family.

From the very beginning, BLUETTI has tried to stay true to a sustainable future through green energy storage solutions while delivering an exceptional eco-friendly experience for our homes and our world.

That's why BLUETTI makes its presence in 100+ countries and is trusted by millions of customers across the globe.



Shenzhen PowerOak Newener Co., Ltd.

F19, BLD No.1, Kaidaer, Tongsha RD No.168, Xili street, Nanshan, Shenzhen, China

Web: <https://www.bluettipower.com>

Copyright © Shenzhen PowerOak Newener Co., Ltd. All rights reserved.

No part of this document may be reproduced or transmitted in any form or by any means without the prior written consent of Shenzhen PowerOak Newener Co., Ltd.

Notice

BLUETTI's products, services, and features are subject to the agreed-upon terms and conditions during purchase. Please note that some products, services, or features described in this manual may not be available under your purchase contract. Unless otherwise specified in the contract, BLUETTI makes no representations or warranties of any kind, express or implied, with respect to the contents of this manual.

The contents of this manual are subject to change without notice. Please get the latest version from: <https://www.bluettipower.com/pages/user-guides>
If you have any questions or concerns about this manual, please contact BLUETTI support for further assistance.



About the Manual

Introduction

This manual provides information on the functionality, basic operation and safety instructions of the D40 DC-DC Battery Charger ((hereinafter referred to as D40). Please read and understand all instructions in this manual before use.

Symbol Conventions

This manual uses the following symbols to highlight important information:

| Symbol | Category | Description |
|---|--------------------|---|
|  | Danger / Attention | It indicates a hazardous situation which, if not avoided, could result in death or serious injury. |
|  | Notice | It indicates a potentially hazardous situation which, if not avoided, could cause substantial damage to property and the environment. |

Contents

| | | |
|---------|---|----|
| 1 | Safety Instructions | 06 |
| 2 | Packing List | 08 |
| 3 | Product Introduction | 09 |
| 4 | Product Overview | 10 |
| 5 | Mounting | 11 |
| 5.1 | Location Requirements | 11 |
| 5.2 | Mount the D40 | 11 |
| 6 | Applications | 12 |
| 6.1 | Supported House Batteries | 12 |
| 6.2 | Charge the House Batteries (Battery Mode) | 12 |
| 6.2.1 | Charge via BLUETTI Portable Power Station | 12 |
| 6.2.2 | Charge via Solar Panels | 13 |
| 6.2.3 | Charge via Starter Battery | 15 |
| 6.3 | Replace the House Battery | 16 |
| 6.3.1 | Preparation | 16 |
| 6.3.2 | Replacement | 16 |
| 6.4 | Pause / Resume Charging | 16 |
| 6.5 | Power RV Appliances (Load Mode) | 17 |
| 7 | Specifications | 19 |
| 8 | Indicator Instructions | 20 |
| 9 | Troubleshooting | 20 |
| Appx. 1 | FAQ | 23 |
| Appx. 2 | Abbreviations | 23 |
| Appx. 3 | FCC Statement | 24 |
| Appx. 4 | IC Caution | 24 |

1. Safety Instructions

This manual contains important safety and operating instructions for D40 battery charger. Before using battery charger, read all instructions and cautionary markings on battery charger, battery, and product using battery.

1.1. Statement

To ensure a safe operation, it's crucial to observe and adhere to the following conditions:

- Always operate or store the product in the conditions specified in this manual.
- The installation and ambient conditions must comply with all applicable codes and regulations.
- Avoid unauthorized disassembly, component replacement, or modification of software codes.

BLUETTI shall not be liable for damages resulting from the following circumstances:

- Force majeure events such as earthquakes, fires, storms, floods, or mudslides.
- Damage caused by the customer's own transportation.
- Damage resulting from inadequate storage conditions as specified in the manual.
- Damage caused by customer negligence, improper operation, or intentional actions.
- System or hardware damage caused by third parties or customers, including but not limited to improper handling and installation not in accordance with the instructions in this manual.
- Damage caused by adjustments, changes, or removal of identification labels not in compliance with this manual.
- The product doesn't fulfill power supply needs for power-reliant equipment in critical sectors like atomic energy, aviation, medical, and other domains where safety is paramount. BLUETTI assumes no liability for incidents involving personal safety, fire, equipment malfunction, data loss, or any adverse aftermath resulting from using this product with such equipment.


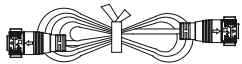


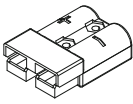

1.2 General Requirements

- The battery charger is intended to recharge batteries. The battery that is connected to this product is only suitable if it complies with the given battery standard for that battery type. For lithium batteries, a battery management system (BMS) is required to monitor and control the electrical and thermal health of the battery during charging. When installing this battery charger, the battery is to be verified as in compliance with the applicable battery standard.
- Always turn off the power source before starting any electrical work.
- Do not clean the product with water.
- Do not disassemble the product on your own.
- Regularly inspect the product and its accessories for damage or deterioration.

- If the product's shell is cracked during transportation or use, do not use it and contact BLUETTI support or your local BLUETTI dealers.
- Use of an attachment not recommended or sold by the manufacturer may result in a risk of fire, electric shock, or injury to persons.
- Use genuine cables and accessories provided by BLUETTI.
- Keep the product away from heat sources, high temperatures.
- Do not store the product with flammable liquids, gases, or explosive materials.
- Make sure the area where you are using the product is well ventilated and spacious.
- In case of malfunction, turn off the product immediately and contact BLUETTI support or your local BLUETTI dealers if this manual cannot adequately explain the malfunction to you.
- Do not attempt to replace any other component of the product by anyone other than authorized personnel. If such replacements are necessary, seek assistance from qualified technical support personnel.
- Do not use the product in a humid environment, and make sure it's thoroughly dry before use.
- Do not insert foreign objects into any ports and vents of the product.
- Do not put fingers or hands into the product.
- Keep the product out of reach of children and pets.
- To reduce the risk of damage to the electric plug and cord, pull the plug rather than the cord when disconnecting the product.
- The D40 is compatible with LiFePO₄, gel, lead-acid, and calcium batteries. Lead-acid batteries contain corrosive and toxic liquids and can generate flammable and toxic gases during charging or operation, which may cause an explosion. When handling these batteries, wear safety goggles, gloves, or protective clothing, remove personal metal items, and ensure good ventilation in the work area. Follow the battery manufacturer's user manual for safe usage.
- Do not disconnect the cable while the product is in operation. There may still be residual voltage present in certain parts of the product even after disconnection. Wait for at least 5 minutes before performing any further operations.

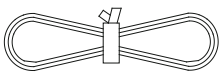
2. Packing List

Standard Accessories

| Item | Picture | Qty. |
|--|--|---------------|
| D40 DC-DC Battery Charger |  | 1 |
| DC Input Power Cable (For powering D40 from portable power station's RV port) |  | 1 |
| Anderson Connector Accessory |  | 6 |
| Mounting Screws |  | 6 |
| Anderson Connector |  | 1 Gray, 1 Red |
| Product Documentation |  | 1 |

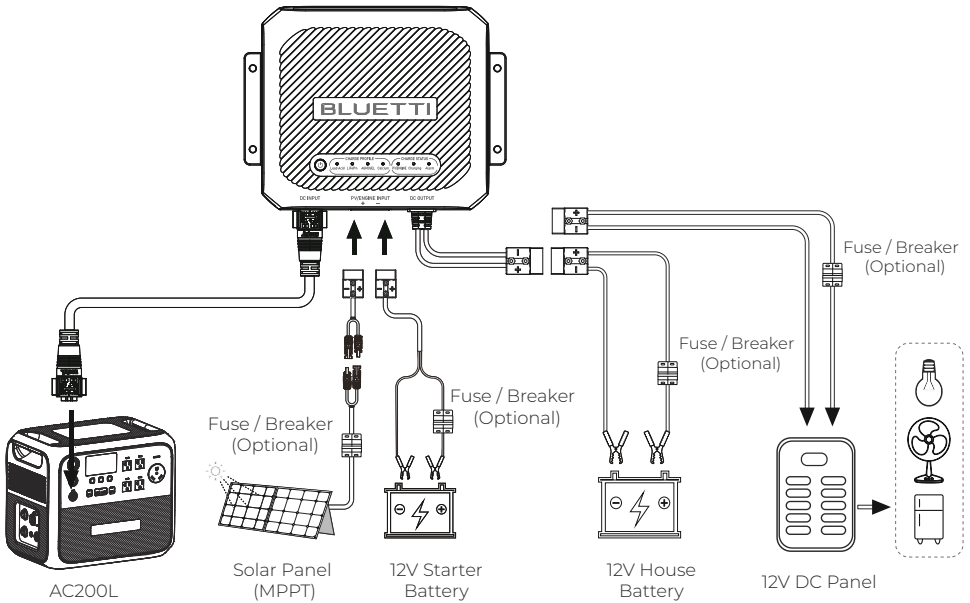
Optional Accessory

(Available on the official BLUETTI website: <https://www.bluettipower.com>)

| Item | Picture |
|---|---|
| Connection Cable (3m or 5m, for connecting solar panels, starter batteries, and house batteries) |  |

3. Product Introduction

The D40 is a 400W DC-DC battery charger designed for charging various types of RV house batteries, including LiFePO₄, AGM / gel, lead-acid, and calcium batteries. It's compatible with BLUETTI portable power stations (via the 48V port), solar panels (12V-36V), and starter batteries, providing a comprehensive solution for battery charging needs. Plus, it powers up your 12V RV appliances with BLUETTI portable power stations. When connecting to solar panels and the AC200L simultaneously, the D40 prioritizes solar input if the open-circuit voltage of solar panels is within the range of 13V to 36V. However, if the solar input falls below around 40W, the D40 automatically switches to the AC200L for uninterrupted charging.



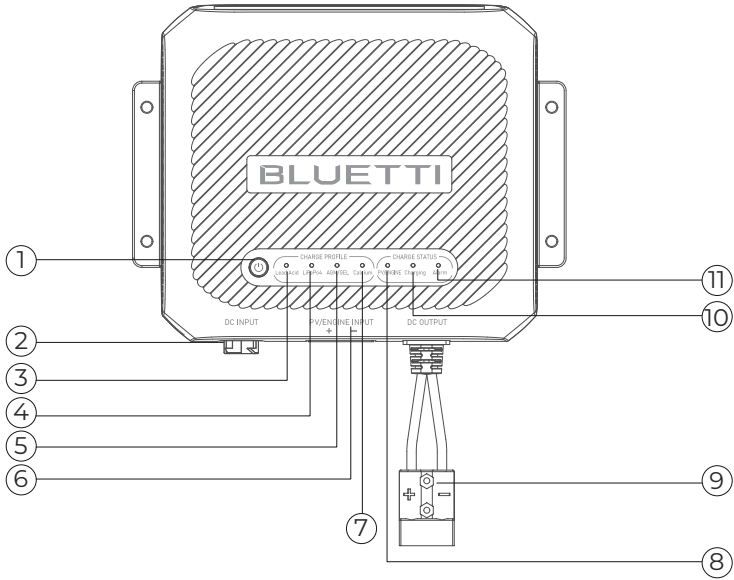
⚠ Attention:

Do not connect any ports of D40 to the grid.
Do not use solar panels that have an open circuit voltage higher than 36V.

📖 Notice:

For safety reasons, it is recommended to install 40A circuit breakers on the PV, starter battery, house battery, and RV appliance sides, as shown in the above figure.

4. Product Overview



| No. | Item | No. | Item |
|-----|-------------------------------|-----|-----------------------|
| ① | Power Button | ⑦ | Calcium Indicator |
| ② | 48V DC Input | ⑧ | PV / ENGINE Indicator |
| ③ | Lead-acid Indicator | ⑨ | DC Output |
| ④ | LiFePO ₄ Indicator | ⑩ | Charging Indicator |
| ⑤ | AGM / GEL Indicator | ⑪ | Alarm Indicator |
| ⑥ | PV / ENGINE Input | | |

5. Mounting

5.1 Location Requirements

Place the D40 inside the vehicle's cabin or trunk near the house battery. Make sure that the area is not prone to moisture and avoids potential high-temperature conditions. Securely mount the D40 on a stable surface, either horizontally or vertically.

Attention:

When using the D40 near the lead-acid batteries:

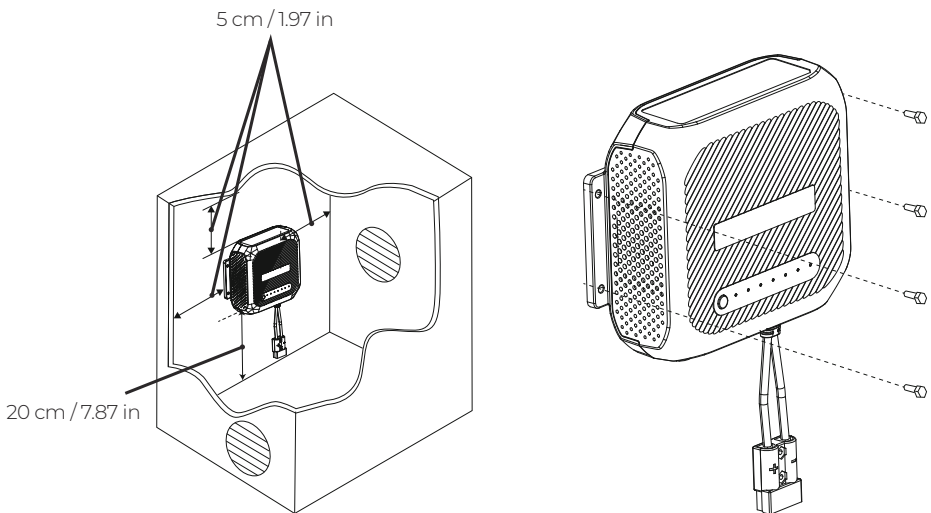
1. Ensure proper ventilation.
2. Maintain a safe distance between batteries and the D40.
3. Follow the battery manufacturer's safety guidelines.

5.2 Mount the D40

1. Select an appropriate location. Provide at least 5cm (1.97in) of clearance above, to the left, and to the right of the D40, with a minimum of 20cm (7.87in) clearance below it.

Note: Adequate ventilation is necessary for D40's optimal performance.

2. Place the D40 against the designated spot.
3. Secure the D40 in place using 4 self-tapping screws.



6. Applications

6.1 Supported House Batteries

The D40 is compatible with 4 types of batteries:

| Battery Type | Specifications | |
|---------------------|---------------------------|--------------------------|
| Lead-acid | Max. Input Voltage: 14.4V | Battery Capacity: >100Ah |
| LiFePO ₄ | Max. Input Voltage: 14.4V | Battery Capacity: >100Ah |
| AGM / gel | Max. Input Voltage: 14.7V | Battery Capacity: >100Ah |
| Calcium | Max. Input Voltage: 15.4V | Battery Capacity: >100Ah |

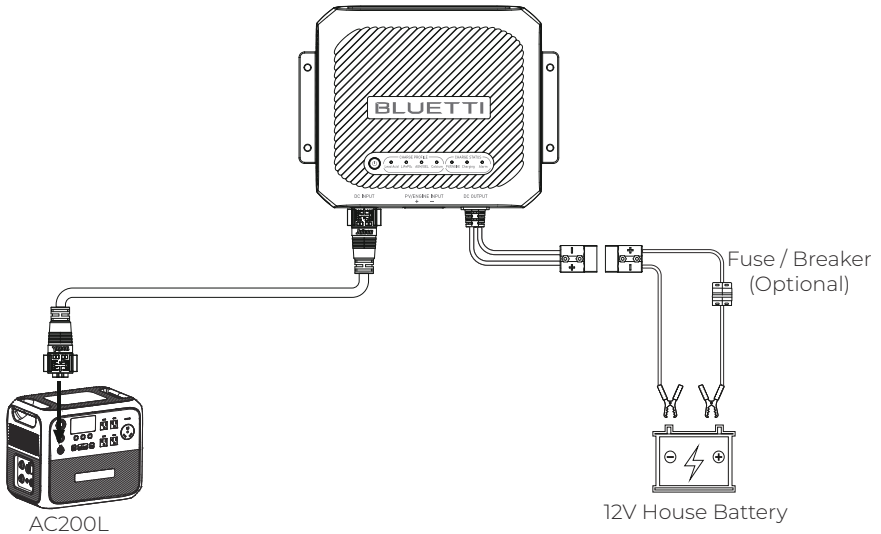
⚠ Attention:

Refer to the battery manufacturer's specifications when selecting the appropriate battery type for charging.

6.2 Charge the House Batteries (Battery Mode)

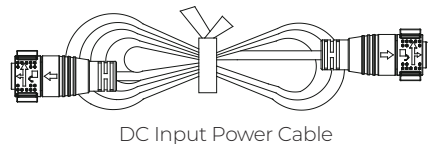
6.2.1 Charge via BLUETTI Portable Power Station

With the D40, you can charge the house battery via BLUETTI portable power station.



Preparation

- Check that the portable station and D40 are in good condition.
- Make sure that the house battery is compatible with the D40.
- Prepare the necessary connection cables and Anderson connector.



Wiring & Operations

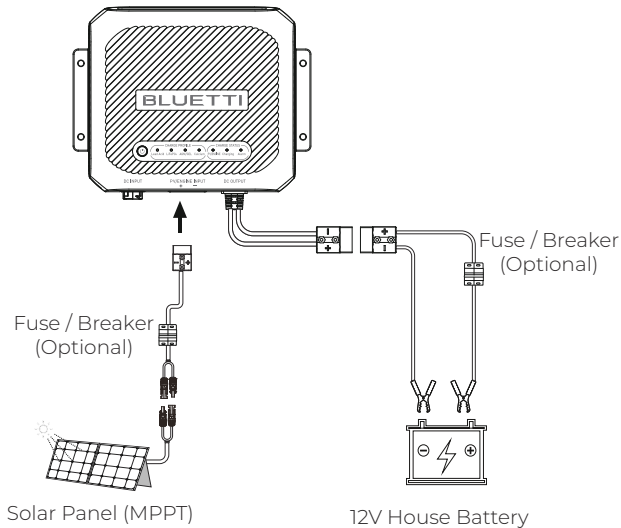
1. Connect the AC200L and D40 via the DC Input Power Cable.
2. Turn on the AC200L and activate the DC output; this will automatically activate the D40.
3. Select the battery type for charging:
 - a. Press and hold (⏻) for more than 3 seconds, and when the CHARGE PROFILE indicator flashes, you can select the battery type.
 - b. Press (⏻) to navigate and select the battery type; the corresponding indicator will flash.
 - c. Press and hold (⏻) for more than 3 seconds until the flashing indicator becomes steady.
4. Connect the D40's DC output to the battery using the Anderson connector, and make sure to match the positive and negative terminals. The Charging indicator will remain lit if the charging is successful.

📖 Notice:

- When connecting to power stations like the AC200L, the D40 automatically turns on if the power is on and the DC output is enabled. To avoid this, turn off the AC200L's DC output.
- When charging using BLUETTI portable power stations, you can monitor the charging progress by reviewing the output status shown on the power station's screen.

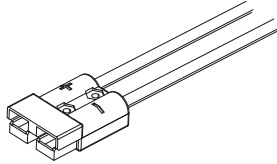
6.2.2 Charge via Solar Panels

With abundant sunlight, you can utilize high-performance solar panels to charge the house battery.



Preparation

- Check that the solar panels and D40 are in good condition, and that the PV input voltage is in the 12V-36V range. The PV input activates automatically when the voltage reaches 13V.
- Make sure that the house battery is compatible with the D40.
- Assemble the necessary connection cables and connectors correctly.



Wiring & Operations

1. Connect the solar panel to the D40 via the Anderson connector (red), ensuring correct polarity.

Make sure that the PV input voltage falls within 12V to 36V. The D40 automatically activates once the voltage reaches 13V.

2. Press (⏻) to navigate until the PV/ENGINE indicator in CHARGE STATUS section flashes.
3. Press and hold (⏻) for more than 3 seconds until the indicator turns off. Then, press and hold (⏻) for another 3 seconds until the indicator becomes steady, indicating the power supply has switched to the PV.
4. Press (⏻) again to navigate the flashing indicator back to the CHARGE PROFILE section.
5. Select the battery type for charging:
 - a. Press and hold (⏻) for more than 3 seconds, and when the CHARGE PROFILE indicator flashes, you can select the battery type.
 - b. Press (⏻) to navigate and select the battery type; the corresponding indicator will flash.
 - c. Press and hold (⏻) for more than 3 seconds until the flashing indicator becomes steady.
6. Connect the D40's DC output to the battery using the Anderson connector, and make sure to match the positive and negative terminals. The Charging indicator will remain lit if the charging is successful.

Notice:

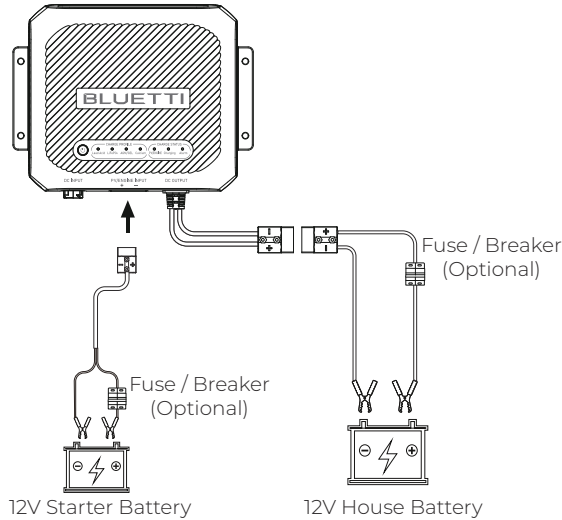
- Make sure that the solar panels have an open-circuit voltage of 13V-36V. The D40 automatically turns on when the input voltage reaches 13V or higher and turns off when the voltage falls below 11.7V.
- When connected to solar panels, the D40 supports a maximum input current of 20A and a maximum output current of 30A.
- When both solar panels and the power station are connected, the D40 prioritizes solar input when the solar input power reaches or exceeds around 40W, smoothly switching to the power station below around 40W.

⚠ Attention:

- Do not use solar panels that have an open circuit voltage higher than 36V.
- Non-waterproof solar panels may experience reduced efficiency if exposed to prolonged rain.

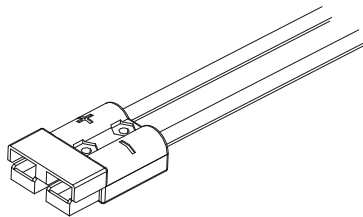
6.2.3 Charge via Starter Battery

Moreover, with the D40, you can charge the house battery using the starter battery.



Preparation

- Check that the starter battery has a voltage of 11.7V or higher and that the D40 is in good condition.
- Make sure that the house battery is compatible with the D40.
- Assemble the necessary connection cables and connectors correctly.



Wiring & Operations

1. Connect the Anderson connector (red) on the starter battery to the PV / starter battery input. The D40 will activate when the voltage of the starter battery reaches or exceeds 11.7V.
2. Press (⏻) to navigate until the PV/ENGINE indicator in CHARGE STATUS section flashes.
3. Press and hold (⏻) for more than 3 seconds until the indicator turns off, indicating the power supply has switched to the starter battery.
4. Press (⏻) again to navigate the flashing indicator back to the CHARGE PROFILE section.
5. Select the battery type for charging:
 - a. Press and hold (⏻) for more than 3 seconds, and when the CHARGE PROFILE indicator flashes, you can select the battery type.
 - b. Press (⏻) to navigate and select the battery type; the corresponding indicator will flash.
 - c. Press and hold (⏻) for more than 3 seconds until the flashing indicator becomes steady.
6. Connect the D40's DC output to the battery using the Anderson connector, and make sure to match the positive and negative terminals. The Charging indicator will remain lit if the charging is successful.

6.3 Replace the House Battery

6.3.1 Preparation

Make sure that the replacement battery is compatible with the D40.

6.3.2 Replacement

1. Press and hold (⏻) for more than 3 seconds until the battery type indicator starts flashing. Charging stops.
2. Disconnect the battery from the D40.
3. Connect the replacement battery to the D40's DC output.
4. Press (⏻) to navigate and select the new battery type. The corresponding indicator flashes.
5. Press and hold (⏻) for more than 3 seconds until the flashing indicator becomes steady. The Charging indicator will remain lit if the charging is successful.

6.4 Pause / Resume Charging

• Pause charging

Press and hold (⏻) for more than 3 seconds until the battery type indicator starts flashing. Charging stops. If no further action is taken within 1 minute, the flashing indicator goes off, leaving the power indicator on.

Note: To turn off all indicators, unplug all inputs. When using PV or starter battery as the input source and the battery is charged, additionally press and hold (⏻) for more than 3 seconds.

- Resume charging

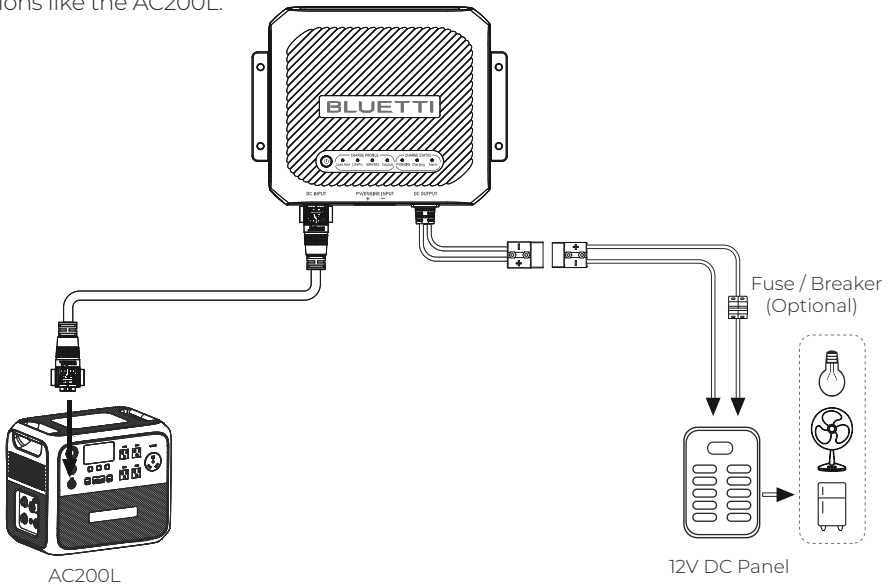
Press and hold (⏻) for more than 3 seconds, the D40 will resume charging using the previously selected battery type and charging mode.

⚠ Attention:

Match the selected battery type with the one being charged. BLUETTI shall not be liable for any damages resulting from incorrect selections.

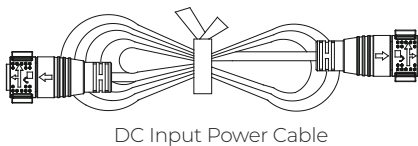
6.5 Power RV Appliances (Load Mode)

With the D40, you can also power your RV appliances via BLUETTI portable power stations like the AC200L.



Preparation

- Check that the portable station and D40 are in good condition.
- Make sure that the house battery is compatible with the D40.
- Prepare the necessary connection cables and Anderson connector.



Wiring & Operations

1. Connect the AC200L and D40 via the DC Input Power Cable.
2. Connect the RV appliances to the D40's DC output, and make sure to match the positive and negative terminals.
3. Turn on the AC200L and activate the DC output; this will automatically activate the D40.
4. Enable the Load Mode:
 - a. Press and hold (⏻) for more than 3 seconds until the CHARGE PROFILE indicator flashes.
 - b. Press (⏻) to navigate until all battery indicators flash.
 - c. Press and hold (⏻) for more than 3 seconds until the flashing indicators become steady, indicating the Load Mode is enabled.The Charging indicator will remain lit when the RV appliances are successfully powered.

Notice:

- When connecting to power stations like the AC200L, the D40 automatically turns on if the power is on and the DC output is enabled. To avoid this, turn off the AC200L's DC output.
- When charging using BLUETTI portable power stations, you can monitor the charging progress by reviewing the output status shown on the power station's screen.
- In this mode, the D40 produces 12V DC output.

Attention:

- Before powering on, make sure that the RV appliances are connected with the correct polarity.
- The PV / ENGINE input is unavailable.

7. Specifications

| Model | D40 |
|------------------------|--|
| Charging Power | 400 W |
| Weight | Approx. 2 kg / 4.4 lbs |
| Dimensions (L × W × H) | 232.7 mm × 180.7 mm × 69.2 mm / 9.2 in × 7.1 in × 2.7 in |
| Working Temperature | -20°C to 45°C / -4°F to 113°F |
| Storage Temperature | -20°C to 50°C / -4°F to 122°F |
| Working Humidity | 10% to 90% |
| Noise | 43 dB Max. |
| Working Altitude | Up to 2,000 m / 6,561 ft |
| Protection Grade | IP20 |


DC Output

| | | |
|-----------|---|------------|
| Current | 30A Max. 20A Max. (AC200L and other BLUETTI portable power stations) | |
| Voltage | Lead-acid | 14.4V Max. |
| | LiFePO ₄ | 14.4V Max. |
| | AGM / gel | 14.7V Max. |
| | Calcium | 15.4V Max. |
| Load Mode | 12V / 20A (AC200L and other BLUETTI portable power stations) | |

DC Input

| | |
|-------------|------------------------|
| 48V DC | 45V to 60VDC |
| PV / ENGINE | 12V to 36VDC, 20A Max. |

8. Indicator Instructions

| Indicator | Function | Explanation |
|---|-----------------------------|--|
|  | Display power supply status | It lights up when the 48V DC input voltage exceeds 36V or the PV / starter input voltage exceeds 12V, indicating that the D40 is in standby mode; otherwise, it remains off. |
| Lead Acid | / | It lights up when charging a lead-acid house battery. |
| LiFePO ₄ | / | It lights up when charging a LiFePO ₄ house battery. |
| AGM / GEL | / | It lights up when charging an AGM / gel house battery. |
| Calcium | / | It lights up when charging a calcium house battery. |
| Lead Acid + LiFePO ₄ + AGM/GEL + Calcium | Powering the RV appliances | / |
| PV/ENGINE | / | On: charge via solar panels On & then off: charge via starter battery |
| Charging | Charging status indicator | It lights up when the house battery is charging and blinks slowly (@ approx. 1.0Hz) when fully charged. |
| Alarm | Alarm indicator | It lights up when there is a malfunction. Please refer to Chapter 9. Troubleshooting for details. |

9. Troubleshooting

Battery Mode

| Fault | Symptom | Reason | Solution |
|--|--|--|---|
| Reverse Polarity Protection (Input) | All indicators off. | The polarity of your PV / ENGINE INPUT is reversed | <ol style="list-style-type: none"> 1. Check that the Anderson connector is connected to the PV / ENGINE INPUT terminal with the correct polarity. 2. Fix the connections, and check if the D40 functions properly. If the symptom persists, please contact BLUETTI support for assistance. |
| Reverse Polarity Protection (Output) / Output Undervoltage Protection / RV House Battery Connection Abnormal | Alarm indicator on; Charging indicator blinks slowly (@ approx. 1.5Hz). | <p>The polarity of DC OUTPUT is reversed; D40's output voltage is below 9V;</p> <p>RV house battery is not connected properly.</p> | <ol style="list-style-type: none"> 1. Check that the Anderson connector is connected to the DC OUTPUT terminal with the correct polarity. 2. Fix the connections, and check if the D40 functions properly. 3. Make sure the D40 provides an output voltage above 9V. If the symptom persists, please contact BLUETTI support for assistance. |

| Fault | Symptom | Reason | Solution |
|------------------------------------|---|---|--|
| Input Overvoltage | Charging indicator off; Alarm indicator blinks rapidly (@ approx. 3Hz). | The voltage on PV / ENGINE INPUT exceeds 38V, which may cause equipment damage. | <ol style="list-style-type: none"> 1. Unplug the cable from the PV / ENGINE INPUT port. 2. Check the unit for damage, if damaged, replace with a new unit. 3. Make sure the voltage on the PV / ENGINE INPUT port falls within 12V-36V. 4. Reestablish the connection and check if the D40 works properly. If the symptom persists, please contact BLUETTI support for assistance. |
| Battery Overvoltage Protection | Charging indicator off; Alarm indicator on; Battery indicator blinks slowly (@ approx. 3Hz). | The battery voltage exceeds the maximum input voltage by 0.4V. | <p>Check the battery voltage.</p> <ul style="list-style-type: none"> · If the voltage difference exceeds 0.4V, replace the battery and attempt charging again. If charging is still unsuccessful, please contact BLUETTI support for assistance. · If the voltage is below 0.4V, please also contact BLUETTI support for assistance. |
| Temperature Protection | Charging indicator off; Alarm indicator blinks slowly (@ approx. 1.5Hz). | When the unit's temperature reaches 70°C / 158°F, the fan automatically activates; when it reaches 102°C / 215.6°F or if the temperature falls below 0°C / 32°F when charging with a LiFePO ₄ battery, the temperature protection will be triggered. | <ol style="list-style-type: none"> 1. Wait for 5 minutes. If the D40 resumes operation after cooling down, it suggests inadequate ventilation in the current location. 2. Power off the D40 and any related devices. 3. Disconnect all cables and remove the D40. 4. Move the D40 to a suitable location. If the symptom persists, please contact BLUETTI support for assistance. |
| LiFePO ₄ BMS Protection | Charging indicator off; Alarm indicator on; LiFePO ₄ indicator blinks rapidly (@ approx. 1.5Hz). | The voltage of LiFePO ₄ battery drops suddenly. D40 will stop charging | <ol style="list-style-type: none"> 1. Check the LiFePO₄ battery and connections for any abnormalities. Replace the battery and fix the connections. 2. Press (⏻) to restore the output. If the symptom persists, please contact BLUETTI support for assistance. |
| Software and Hardware Overcurrent | Alarm indicator steady | / | <ol style="list-style-type: none"> 1. If charging doesn't resume within 1 minute, restart the unit. 2. If the symptom persists, please contact BLUETTI support for assistance. |

Load Mode

| Fault | Symptom | Reason | Solution |
|--|--|---|---|
| Output Overvoltage Protection | Charging indicator off; Alarm indicator on; Battery indicator blinks slowly (@ approx. 3Hz). | / | Restart the unit. If the symptom persists, please contact BLUETTI support for assistance. |
| Temperature Protection | Charging indicator off; Alarm indicator blinks slowly (@ approx. 1.5Hz). | When the unit's temperature reaches 70°C / 158°F, the fan automatically activates; when it reaches 102°C / 215.6°F, the temperature protection will be triggered. | <ol style="list-style-type: none"> 1. Wait for 5 minutes. If the D40 resumes operation after cooling down, it suggests inadequate ventilation in the current location. 2. Power off the D40 and any related devices. 3. Disconnect all cables and remove the D40. 4. Move the D40 to a suitable location. If the symptom persists, please contact BLUETTI support for assistance. |
| Battery Connection Protection | Charging indicator blinks slowly (@ approx. 1.0Hz). | / | Replace the connected battery with loads. |
| Reverse Polarity Protection (Output) / Overcurrent Protection | Alarm indicator steady | / | <ol style="list-style-type: none"> 1. Reduce the load if necessary. 2. Check that the Anderson connector is connected to the DC OUTPUT terminal with the correct polarity. 3. Fix the connections, and check if the D40 functions properly. 4. Restart the unit. If the symptom persists, please contact BLUETTI support for assistance. |

Appx. 1 FAQ

Q1: Tips for maintaining the D40 DC-DC battery charger:

A: To keep the D40 charger in good condition:

- a. Regularly inspect the connections.
- b. Keep it clean and dry.
- c. Ensure proper ventilation.

Q2: What kind of solar panels are compatible with the D40 charger?

A: Before connecting the solar panels, please make sure they meet the following requirements:

- a. Open circuit voltage: 13V-36V
- b. Equipped with an MC4 connector. If the solar panel comes with an Anderson connector, please prepare an Anderson to MC4 cable.

Note: The actual charging power may vary depending on factors such as weather conditions, solar availability, and the orientation of the solar panels.

Appx. 2 Abbreviations

- DC: Direct Current
- PV: Photovoltaic
- BMS: Battery Management System

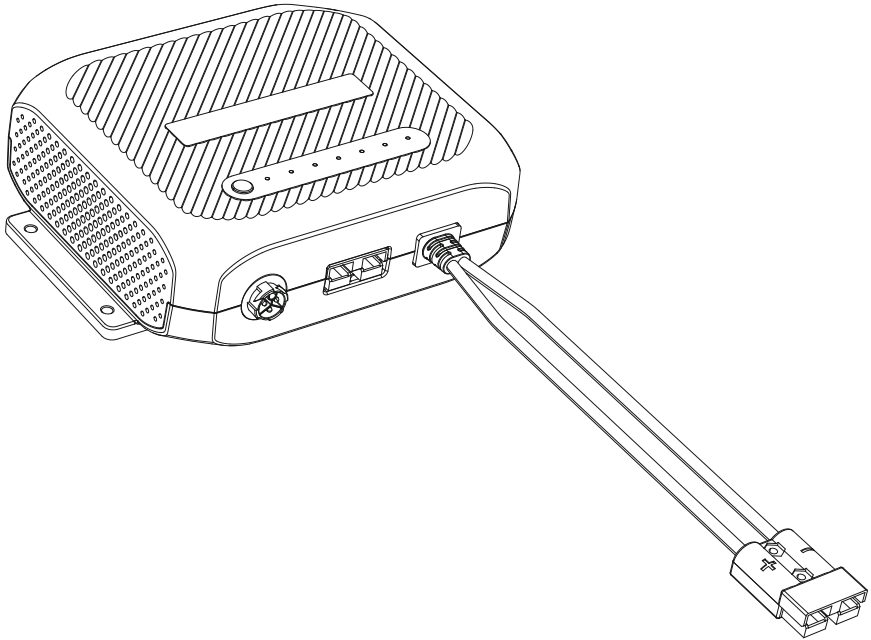
D40

DC-DC-Batterieladegerät

Benutzerhandbuch v2.0

Lesen Sie dieses Handbuch vor Gebrauch sorgfältig durch und bewahren Sie es zum späteren Nachschlagen auf.





Vielen Dank!

Danke, dass Sie BLUETTI in den Kreis Ihrer Familie aufgenommen haben. BLUETTI engagiert sich von jeher für eine nachhaltige Zukunft – mit außergewöhnlich umweltfreundlichen Energiespeicherlösungen, von denen nicht nur Haushalte, sondern wir alle profitieren.

Aus diesem Grund wird BLUETTI in mehr als 100 Ländern gerne genutzt und genießt das Vertrauen von Millionen Kunden auf der ganzen Welt.



Shenzhen PowerOak Newener Co., Ltd.

Adresse: F19, BLD No.1, Kaidaer, Tongsha Rd No.168, Xili Street, Nanshan, Shenzhen, China

Internet: <https://www.bluettipower.com>

Hinweis

Für die Produkte, Dienstleistungen und Funktionen von BLUETTI gelten die beim Kauf vereinbarten Bedingungen. Bitte beachten Sie, dass einige der in diesem Handbuch beschriebenen Produkte, Dienstleistungen oder Funktionen möglicherweise nicht im Rahmen Ihres Kaufvertrags verfügbar sind. Sofern im Vertrag nicht anders angegeben, gibt BLUETTI keine ausdrücklichen oder stillschweigenden Zusicherungen oder Garantien in Bezug auf den Inhalt dieses Handbuchs.

Der Inhalt dieses Handbuchs kann ohne vorherige Ankündigung geändert werden. Hier können Sie die neueste Version herunterladen:

<https://www.bluettipower.com/pages/user-guides>

Wenn Sie Fragen oder Bedenken bezüglich dieses Handbuchs haben, wenden Sie sich an den BLUETTI Support, um Unterstützung zu erhalten.


Über dieses Handbuch

Einleitung

Dieses Handbuch enthält Informationen über die Funktionsweise, den grundlegenden Betrieb und die Sicherheit des DC-DC-Ladegeräts D40 (im Folgenden als D40 bezeichnet). Bitte lesen Sie vor der Benutzung alle Anweisungen in dieser Anleitung.

Gebräuchliche Symbole

In diesem Handbuch werden die folgenden Symbole verwendet, um wichtige Informationen hervorzuheben:

| Symbol | Kategorie | Beschreibung |
|---|----------------|--|
|  | Gefahr/Achtung | Dieses Symbol weist auf eine gefährliche Situation hin, die, wenn sie nicht vermieden wird, zum Tod oder zu schweren Verletzungen führen kann. |

Inhalt

| | | |
|-------|---|----|
| 1 | Sicherheitshinweise | 30 |
| 2 | Packliste | 32 |
| 3 | Produkteinführung | 33 |
| 4 | Produktübersicht | 34 |
| 5 | Montage | 35 |
| 5.1 | Standortanforderungen | 35 |
| 5.2 | Montage des D40 | 35 |
| 6 | Anwendungen | 36 |
| 6.1 | Von der D40 unterstützte Batterietypen | 36 |
| 6.2 | Aufladen der Batterien | 36 |
| 6.2.1 | Aufladen über die tragbare BLUETTI Powerstation | 36 |
| 6.2.2 | Aufladen über Solarpaneele | 37 |
| 6.2.3 | Aufladen über Starterbatterie | 39 |
| 6.3 | Austauschen der Hausbatterie | 40 |
| 6.3.1 | Vorbereitung | 40 |
| 6.3.2 | Austausch | 40 |
| 6.4 | Pause / Wiederaufnahme des Ladevorgangs | 40 |
| 6.5 | BLUETTI tragbares Kraftwerk versorgt Wohnmobilgeräte über D40 ... | 41 |
| 7 | Technische Daten | 43 |
| 8 | Anweisungen zur Anzeige | 44 |
| 9 | Fehlerbehebung | 45 |
| | Anhang 1 Häufig gestellte Fragen | 48 |
| | Anhang 2 Abkürzungen | 48 |

1. Sicherheitshinweise

Dieses Handbuch enthält wichtige Sicherheits- und Betriebsanweisungen für das Batterieladegerät D40. Lesen Sie vor der Verwendung des Ladegeräts alle Anweisungen und Warnhinweise auf dem Ladegerät, der Batterie und dem Produkt, in dem die Batterie verwendet wird.

1.1. Erklärung

Zur Gewährleistung eines sicheren Betriebs müssen die folgenden Bedingungen beachtet und eingehalten werden:

- Betreiben oder lagern Sie das Produkt immer unter den in diesem Handbuch angegebenen Bedingungen.
- Die Installations- und Umgebungsbedingungen müssen allen geltenden Vorschriften und Bestimmungen entsprechen.
- Vermeiden Sie unbefugtes Zerlegen, Austauschen von Komponenten oder Ändern von Softwarecodes.

BLUETTI haftet nicht für Schäden, die auf folgende Umstände zurückzuführen sind:

- Ereignisse höherer Gewalt wie Erdbeben, Brände, Stürme, Überschwemmungen oder Erdbeben.
- Schäden, die durch den kundenseitigen Transport verursacht wurden.
- Schäden, die auf unzureichende Lagerungsbedingungen gemäß den Angaben im Handbuch zurückzuführen sind.
- Schäden, die durch Fahrlässigkeit des Kunden, unsachgemäße Bedienung oder vorsätzliche Handlungen verursacht wurden.
- System- oder Hardwareschäden, die durch Dritte oder Kunden verursacht wurden, einschließlich, aber nicht beschränkt auf unsachgemäße Handhabung und Installation, die nicht mit den Anweisungen in diesem Handbuch übereinstimmen.
- Schäden aufgrund von Anpassungen bzw. Änderungen oder das Entfernen von Kennzeichnungsetiketten, sofern dies nicht in Abstimmung mit diesem Handbuch erfolgt.
- Das Produkt erfüllt nicht den Stromversorgungsbedarf für stromabhängige Geräte in kritischen Sektoren wie der Atomenergie, der Luftfahrt, der Medizin und anderen Bereichen, in denen Sicherheit eine ganz besondere Rolle spielt. BLUETTI übernimmt keine Haftung für Vorfälle im Zusammenhang mit der Sicherheit von Personen, Entstehung von Feuer, Fehlfunktionen von Geräten, Datenverlusten oder für andere nachteilige Folgen, die aus der Verwendung dieses Produkts in Kombination mit solchen Geräten entstehen.

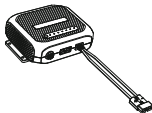
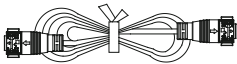

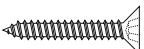
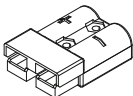

1.2 Allgemeine Anforderungen

- Das Batterieladegerät ist für das Aufladen von Batterien bestimmt. Die Batterie, die an dieses Produkt angeschlossen wird, ist nur dann geeignet, wenn sie der für diesen Batterietyp geltenden Norm entspricht. Für Lithiumbatterien ist ein Batteriemanagementsystem (BMS) erforderlich, um den elektrischen und thermischen Zustand der Batterie während des Ladevorgangs zu überwachen und zu steuern. Bei der Installation dieses Batterieladegeräts ist zu prüfen, ob die Batterie der geltenden Batterienorm entspricht.

- Schalten Sie vor Arbeiten an der Elektrik stets den Strom ab.
- Reinigen Sie das Produkt nicht mit Wasser.
- Zerlegen Sie das Produkt nicht selbst.
- Untersuchen Sie das Produkt und sein Zubehör regelmäßig auf Beschädigungen oder Verschleißerscheinungen.
- Wenn das Gehäuse des Produkts beim Transport oder im Betrieb bricht, nehmen Sie das Gerät nicht in Gebrauch. Wenden Sie sich an den BLUETTI Support oder an Ihren BLUETTI Händler.
- Die Verwendung von Zubehörteilen, die nicht vom Hersteller empfohlen oder verkauft werden, kann zu Brand-, Stromschlag- oder Verletzungsgefahr führen.
- Verwenden Sie Originalkabel und -zubehör von BLUETTI.
- Halten Sie das Produkt von Wärmequellen und hohen Temperaturen fern.
- Bewahren Sie das Produkt nicht zusammen mit brennbaren Flüssigkeiten, Gasen oder explosiven Materialien auf.
- Vergewissern Sie sich, dass der Bereich, in dem Sie das Produkt verwenden, gut belüftet ist und ausreichend Platz bietet.
- Schalten Sie das Produkt bei einer Störung sofort aus. Kontaktieren Sie zudem den BLUETTI Support oder Ihren BLUETTI Händler, wenn die vorliegende Anleitung keine ausreichende Erklärung liefert.
- Versuchen Sie nicht, andere Komponenten des Produkts auszutauschen. Überlassen Sie dies autorisiertem Fachpersonal. Wenn ein solcher Austausch erforderlich ist, wenden Sie sich an qualifiziertes technisches Personal.
- Verwenden Sie das Produkt nicht in feuchten Umgebungen, und stellen Sie sicher, dass es vor der Verwendung gründlich getrocknet ist.
- Führen Sie keine Fremdkörper in die Anschlüsse und Belüftungsöffnungen des Produkts ein.
- Stecken Sie weder Ihre Finger noch Ihre Hände in das Produkt.
- Bewahren Sie das Produkt außerhalb der Reichweite von Kindern und Haustieren auf.
- Um das Risiko einer Beschädigung des Steckers und des Kabels zu verringern, ziehen Sie beim Trennen des Produkts von der Stromversorgung am Stecker und nicht am Kabel.
- Das D40 ist mit LiFePO₄-, Gel-, Bleisäure- und Kalziumbatterien kompatibel. Blei-Säure-Batterien enthalten ätzende und giftige Flüssigkeiten und können während des Ladens oder des Betriebs entflammbar und giftige Gase erzeugen, die eine Explosion verursachen können. Tragen Sie beim Umgang mit diesen Batterien eine Schutzbrille, Handschuhe oder Schutzkleidung, entfernen Sie persönliche Metallgegenstände und sorgen Sie für eine gute Belüftung des Arbeitsbereichs. Befolgen Sie die Gebrauchsanweisung des Batterieherstellers für den sicheren Gebrauch.
- Trennen Sie das Kabel nicht ab, während das Gerät in Betrieb ist. In bestimmten Teilen des Produkts kann auch nach dem Abziehen noch Restspannung vorhanden sein. Warten Sie mindestens 5 Minuten, bevor Sie weitere Arbeiten durchführen.

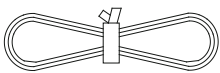
2. Packliste

Standardzubehör

| Artikel | Bild | Anz. |
|---|--|---------------|
| DC-DC-Batterieladegerät |  | 1 |
| DC-Eingangsstromkabel (Für die Stromversorgung des D40 über den Wohnmobilanschluss der tragbaren Powerstation) |  | 1 |
| Anderson-Kontakt |  | 6 |
| Montageschrauben |  | 6 |
| Anderson-Anschluss |  | 1 Grau, 1 Rot |
| Produktdokumentation |  | 1 |

Optionales Zubehör

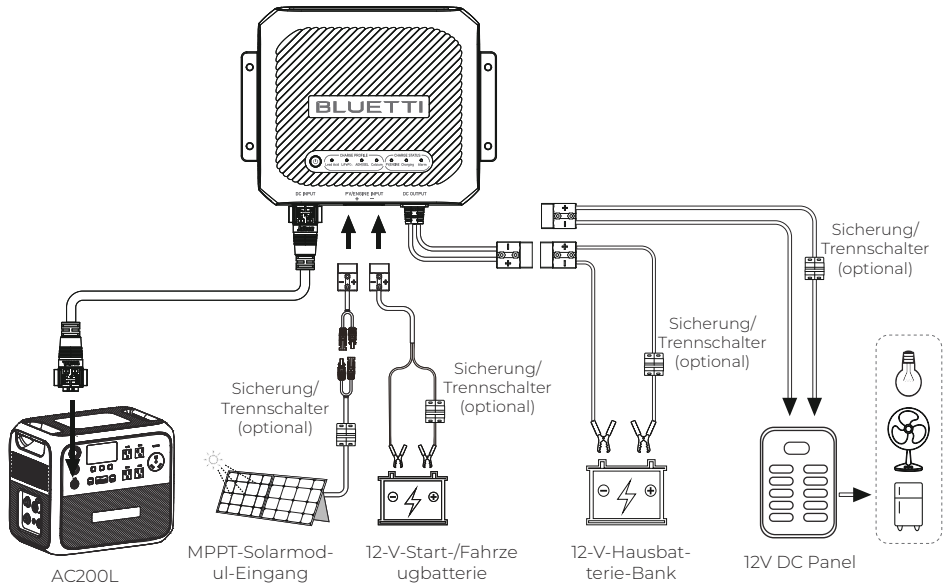
(Auf der offiziellen BLUETTI Website verfügbar: <https://www.bluettipower.com>)

| Artikel | Bild |
|---|---|
| Anschlusskabel (3 m oder 5 m, für den Anschluss von Solarmodulen, Starter- und Hausbatterien) |  |

3. Produkteinführung

Das D40 ist ein 400W DC-DC-Batterieladegerät zum Laden verschiedener Arten von Wohnmobilbatterien, einschließlich LiFePO₄-, AGM/Gel-, Bleisäure- und Kalziumbatterien. Es ist kompatibel mit tragbaren BLUETTI-Stationen (über den 48-V-Anschluss), Solarmodulen (12-36 V) und Starterbatterien und bietet somit eine umfassende Lösung für den Batterieladbedarf. Außerdem können Sie Ihre 12-V-Geräte im Wohnmobil mit den tragbaren BLUETTI-Stromversorgungen mit Strom versorgen.

Bei gleichzeitigem Anschluss an Solarmodule und das AC200L gibt das D40 der Solareinspeisung den Vorrang, wenn die Leerlaufspannung der Solarmodule im Bereich von 13 V bis 36 V liegt. Fällt die Solareinspeisung jedoch unter etwa 40 W, schaltet das D40 automatisch auf das AC200L um, um eine unterbrechungsfreie Aufladung zu gewährleisten.



⚠ Zu beachten:

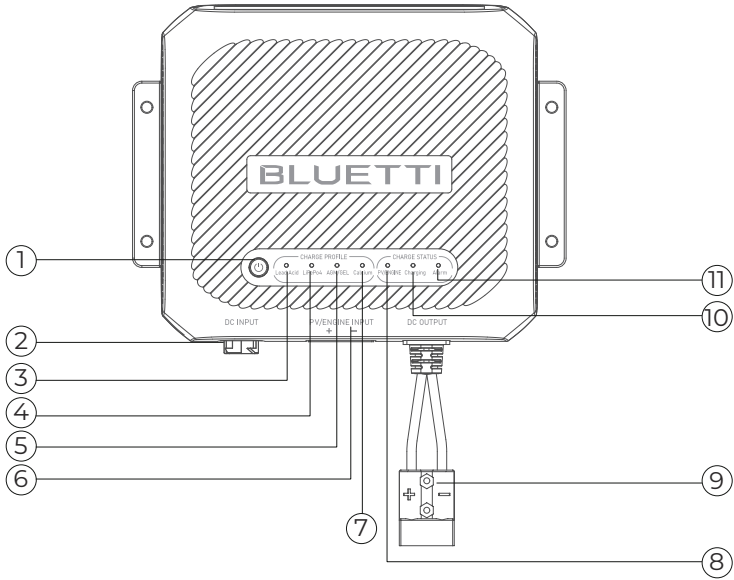
Schließen Sie die Anschlüsse des D40 nicht an das Netz an.

Verwenden Sie keine Solarpaneele mit einer Leerlaufspannung von mehr als 36 V.

⚠ Hinweis:

Aus Sicherheitsgründen wird empfohlen, 40-A-Schutzschalter auf der Seite der PV-Anlage, der Starterbatterie, der Hausbatterie und der Wohnmobilgeräte zu installieren, wie in der obigen Abbildung dargestellt.

4. Produktübersicht



| Nr. | Artikel | Nr. | Artikel |
|-----|----------------------|-----|-------------------|
| ① | Ein-/Ausschalttaste | ⑦ | Kalzium-Indikator |
| ② | DC-Eingang | ⑧ | Anzeige PV/ENGINE |
| ③ | Blei-Säure-Indikator | ⑨ | DC-Ausgang |
| ④ | LiFePO ₄ | ⑩ | Ladeanzeige |
| ⑤ | AGM/Gel | ⑪ | Alarmanzeige |
| ⑥ | PV/ENGINE INPUT | | |

5. Montage

5.1 Standortanforderungen

Stellen Sie das D40 in der Kabine oder im Kofferraum des Fahrzeugs in der Nähe der Hausbatterie auf. Vergewissern Sie sich, dass der Bereich nicht anfällig für Feuchtigkeit, andere Substanzen oder hohe Temperaturen ist. Befestigen Sie das D40 sicher auf einer stabilen Oberfläche, entweder horizontal oder vertikal.

⚠ Zu beachten:

Wenn Sie das D40 in der Nähe von Blei-Säure-Batterien verwenden:

1. Sorgen Sie für ausreichende Belüftung.
2. Halten Sie einen sicheren Abstand zwischen den Batterien und der D40 ein.
3. Beachten Sie die Sicherheitsrichtlinien des Batterieherstellers.

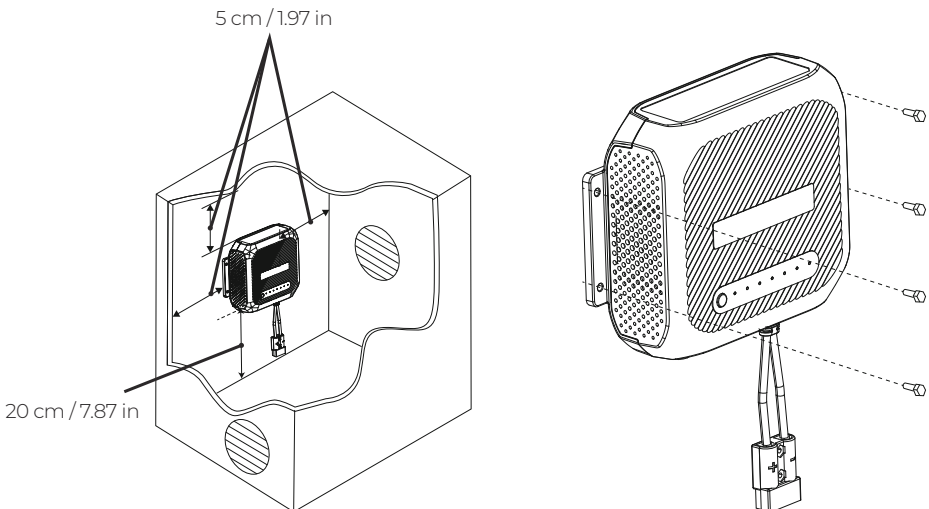
5.2 Montage des D40

1. Wählen Sie einen geeigneten Standort. Achten Sie auf einen Freiraum von mindestens 5 cm oberhalb, links und rechts des D40 und auf einen Freiraum von mindestens 20 cm unterhalb des Geräts.

⚠ Hinweis:

Für eine optimale Leistung des D40 ist eine ausreichende Belüftung erforderlich.

2. Stellen Sie den D40 an der vorgesehenen Stelle auf.
3. Befestigen Sie den D40 mit 4 selbstschneidenden Schrauben.



6. Anwendungen

6.1 Von der D40 unterstützte Batterietypen

Das D40 unterstützt das Laden der folgenden 4 Arten von wiederaufladbaren Batterien.

| Batterietyp | Spannung | Achtung |
|---------------------|------------------------------|------------------------------------|
| Blei-Säure | Maximale Ladespannung 14,4 V | Batteriekapazität größer als 100Ah |
| LiFePO ₄ | Maximale Ladespannung 14,4V | Batteriekapazität größer als 100Ah |
| AGM/GEL | Maximale Ladespannung 14,7V | Batteriekapazität größer als 100Ah |
| Kalzium | Maximale Ladespannung 15,4 V | Batteriekapazität größer als 100Ah |

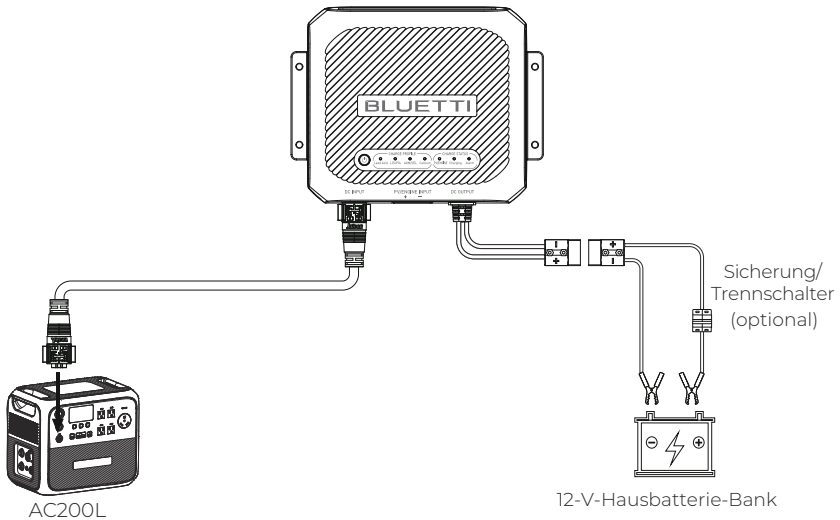
Hinweis:

Beachten Sie die Angaben des Batterieherstellers, wenn Sie den geeigneten Batterietyp zum Laden auswählen.

6.2 Aufladen der Hausbatterien

6.2.1 Aufladen über die tragbare BLUETTI Powerstation

Mit dem D40 können Sie die Hausbatterie über die tragbare BLUETTI Powerstation aufladen.



Vorbereitung

- Überprüfen Sie, ob die tragbare Station und das D40 in einwandfreiem Zustand sind.
- Stellen Sie sicher, dass die Ersatzbatterie mit dem D40 kompatibel ist.
- Bereiten Sie die erforderlichen Anschlusskabel und den Anderson-Stecker vor.



Verdrahtung und Betrieb

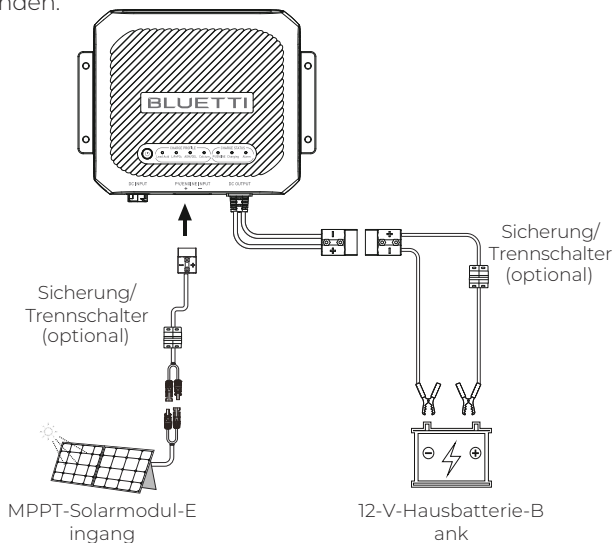
1. Verbinden Sie den AC200L und das D40 über das DC-Eingangskabel.
2. Schalten Sie den AC200L ein und aktivieren Sie den Gleichstromausgang. Dadurch wird das D40 automatisch aktiviert.
3. Wählen Sie den Batterietyp für die Aufladung:
 - a. Halten Sie (⏻) länger als 3 Sekunden gedrückt. Wenn die Anzeige CHARGE PROFILE (Ladeprofil) blinkt, können Sie den Batterietyp auswählen.
 - b. Verwenden Sie (⏻) für die Navigation, und wählen Sie den Batterietyp aus. Die entsprechende Anzeige blinkt.
 - c. Halten Sie (⏻) mehr als 3 Sekunden lang gedrückt, bis das Licht der Anzeige durchgehend leuchtet.
4. Schließen Sie den Gleichstromausgang des D40 über den Anderson-Anschluss an die Batterie an und achten Sie darauf, die richtigen Plus- und Minuspole zu verwenden. Die Ladeanzeige leuchtet weiter, wenn der Ladevorgang erfolgreich ist.

⚠ Hinweis:

- Beim Anschluss an Stromstationen wie die AC200L schaltet sich das D40 automatisch ein, wenn der Strom eingeschaltet und der Gleichstromausgang aktiviert ist. Um dies zu vermeiden, schalten Sie den Gleichstromausgang des AC200L aus.
- Beim Laden mit Hilfe der tragbaren BLUETTI-Stationen (z. B. AC200L) können Sie den Ladevorgang anhand des auf dem Bildschirm der Station angezeigten Leistungsstatus überwachen.

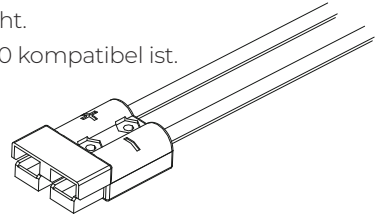
6.2.2 Aufladen über Solarpaneele

Bei reichlich Sonnenlicht können Sie leistungsstarke Solarmodule zum Aufladen der Hausbatterie verwenden.



Vorbereitung

- Prüfen Sie, ob die Solarmodule und das D40 in einwandfreiem Zustand sind und ob die PV-Eingangsspannung im Bereich von 12 bis 36 V liegt. Der PV-Eingang wird automatisch aktiviert, wenn die Spannung 13 V erreicht.
- Stellen Sie sicher, dass die Ersatzbatterie mit dem D40 kompatibel ist.
- Montieren Sie die erforderlichen Verbindungskabel und Stecker korrekt.



Verdrahtung und Betrieb

1. Schließen Sie das Solarmodul über den Anderson-Anschluss an das D40 an und achten Sie dabei auf die richtige Polarität.

Vergewissern Sie sich, dass die PV-Eingangsspannung zwischen 12 V und 36 V liegt. Das D40 schaltet sich automatisch ein, sobald die Spannung 13 V erreicht.

2. Verwenden Sie (⏻) für die Navigation, bis die Anzeige PV/ENGINE (PV/Motor) im Abschnitt CHARGE STATUS (Ladestatus) blinkt.

3. Halten Sie (⏻) mehr als 3 Sekunden lang gedrückt, bis sich die Anzeige ausschaltet. Halten Sie dann (⏻) weitere 3 Sekunden lang gedrückt, bis die Anzeige konstant leuchtet und anzeigt, dass die Stromversorgung auf die PV umgeschaltet hat.

4. Drücken Sie (⏻) erneut, um bei der blinkenden Anzeige wieder zurück in den Bereich CHARGE PROFILE (Ladeprofil) zu navigieren.

5. Wählen Sie den Batterietyp für die Aufladung:

a. Halten Sie (⏻) länger als 3 Sekunden gedrückt. Wenn die Anzeige CHARGE PROFILE (Ladeprofil) blinkt, können Sie den Batterietyp auswählen.

b. Verwenden Sie (⏻) für die Navigation, und wählen Sie den Batterietyp aus. Die entsprechende Anzeige blinkt.

c. Halten Sie (⏻) mehr als 3 Sekunden lang gedrückt, bis das Licht der Anzeige durchgehend leuchtet.

6. Schließen Sie den Gleichstromausgang des D40 über den Anderson-Anschluss an die Batterie an und achten Sie darauf, die richtigen Plus- und Minuspole zu verwenden. Die Ladeanzeige leuchtet weiter, wenn der Ladevorgang erfolgreich ist.

Hinweis:

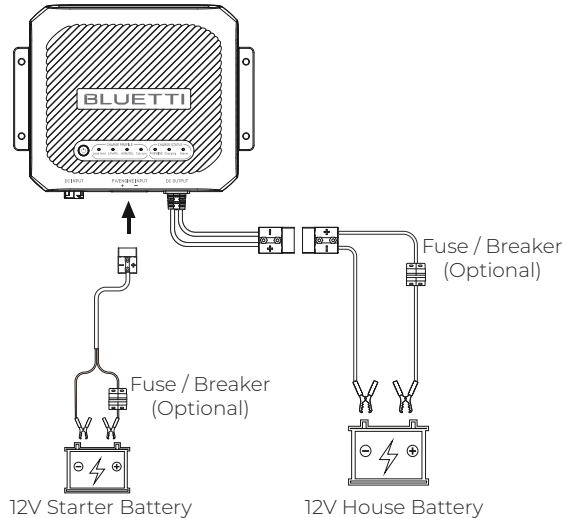
- Vergewissern Sie sich, dass die Solarmodule eine Leerlaufspannung von 12 bis 36 V haben. Das D40 schaltet sich automatisch ein, wenn die Eingangsspannung 13 V oder mehr erreicht, und schaltet sich aus, wenn die Spannung unter 11,7 V fällt.
- Beim Anschluss an Solarmodule unterstützt das D40 einen maximalen Eingangsstrom von 20 A und einen maximalen Ausgangsstrom von 30 A.
- Wenn sowohl Solarmodule als auch die Powerstation angeschlossen sind, gibt das D40 der Solareinspeisung den Vorrang, wenn die Solareinspeisung etwa 40W erreicht oder überschreitet, und schaltet unterhalb von etwa 40W nahtlos auf die Powerstation um.

⚠ Zu beachten:

- Verwenden Sie keine Solarpaneele mit einer Leerlaufspannung von mehr als 36 V.
- Nicht wasserdichte Solarmodule können bei längerem Regen eine geringere Effizienz aufweisen.

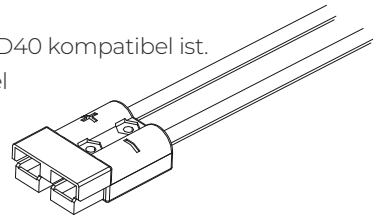
6.2.3 Aufladen über Starterbatterie

Außerdem können Sie mit dem D40 die Hausbatterie über die Starterbatterie aufladen.



Vorbereitung

- Vergewissern Sie sich, dass die Starterbatterie eine Spannung von 11,7 V oder mehr hat und dass das D40 in einwandfreiem Zustand ist.
- Stellen Sie sicher, dass die Ersatzbatterie mit dem D40 kompatibel ist.
- Montieren Sie die erforderlichen Verbindungskabel und Stecker korrekt.



Verdrahtung und Betrieb

1. Schließen Sie den Anderson-Stecker der Starterbatterie an den Eingang PV/Starterbatterie an. Das D40 wird aktiviert, wenn die Spannung der Starterbatterie 11,7 V erreicht oder überschreitet.
2. Verwenden Sie (⏻) für die Navigation, bis die Anzeige PV/ENGINE im Abschnitt CHARGE STATUS (Ladestatus) blinkt.
3. Halten Sie die Taste (⏻) mehr als 3 Sekunden lang gedrückt, bis die Anzeige erlischt und anzeigt, dass die Stromversorgung auf die Starterbatterie umgeschaltet wurde.

4. Drücken Sie (⏻) erneut, um bei der blinkenden Anzeige wieder zurück in den Bereich CHARGE PROFILE (Ladeprofil) zu navigieren.

5. Wählen Sie den Batterietyp für die Aufladung:

- a. Halten Sie (⏻) länger als 3 Sekunden gedrückt. Wenn die Anzeige CHARGE PROFILE (Ladeprofil) blinkt, können Sie den Batterietyp auswählen.
- b. Verwenden Sie (⏻) für die Navigation, und wählen Sie den Batterietyp aus. Die entsprechende Anzeige blinkt.
- c. Halten Sie (⏻) mehr als 3 Sekunden lang gedrückt, bis das Licht der Anzeige durchgehend leuchtet.

6. Schließen Sie den Gleichstromausgang des D40 über den Anderson-Anschluss an die Batterie an und achten Sie darauf, die richtigen Plus- und Minuspole zu verwenden. Die Ladeanzeige leuchtet weiter, wenn der Ladevorgang erfolgreich ist.

6.3 Austauschen der Hausbatterie

6.3.1 Vorbereitung

Stellen Sie sicher, dass die Ersatzbatterie mit dem D40 kompatibel ist.

6.3.2 Austausch

1. Halten Sie (⏻) mehr als 3 Sekunden lang gedrückt, bis die Batterietypanzeige zu blinken beginnt. Der Ladevorgang stoppt.
2. Trennen Sie die Batterie vom D40.
3. Schließen Sie die Ersatzbatterie an den Gleichstromausgang des D40 an.
4. Verwenden Sie (⏻) für die Navigation, und wählen Sie den neuen Batterietyp aus. Die entsprechende Anzeige blinkt.
5. Halten Sie (⏻) mehr als 3 Sekunden lang gedrückt, bis das Licht der Anzeige durchgehend leuchtet. Die Ladeanzeige leuchtet weiter, wenn der Ladevorgang erfolgreich ist.

6.4 Pause / Wiederaufnahme des Ladevorgangs

• Unterbrechen Sie den Ladevorgang

Halten Sie (⏻) mehr als 3 Sekunden lang gedrückt, bis die Batterietypanzeige zu blinken beginnt. Der Ladevorgang wird gestoppt. Wenn innerhalb von 1 Minute keine weiteren Maßnahmen ergriffen werden, erlischt die blinkende Anzeige und die Betriebsanzeige bleibt eingeschaltet.

Hinweis: Um alle Anzeigen auszuschalten, ziehen Sie alle Eingänge ab. Wenn Sie eine PV- oder Starterbatterie als Eingangsquelle verwenden und die Batterie geladen ist, halten Sie zusätzlich (⏻) länger als 3 Sekunden gedrückt.

• Nehmen Sie den Ladevorgang wieder auf

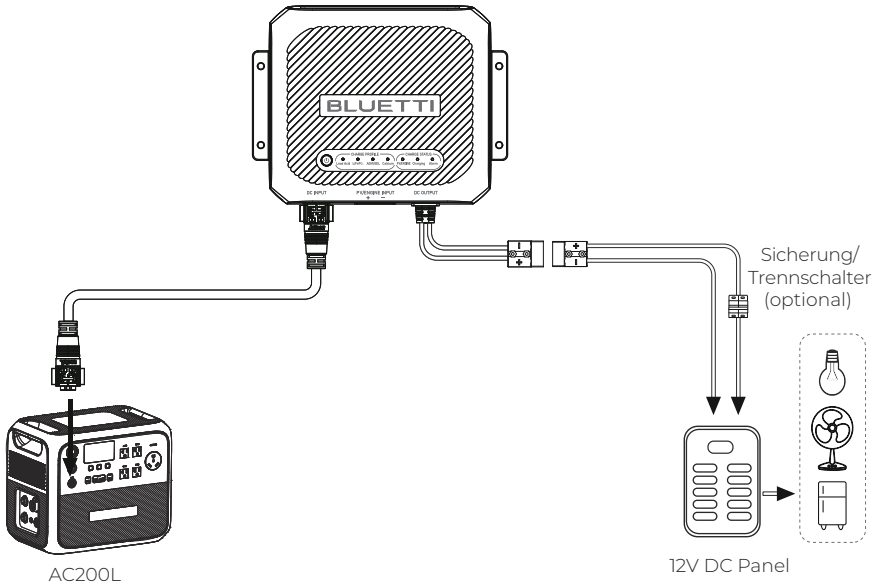
Halten Sie (⏻) länger als 3 Sekunden gedrückt. Das D40 setzt den Ladevorgang mit dem zuvor ausgewählten Batterietyp und Lademodus fort.

Zu beachten:

Stimmen Sie den ausgewählten Batterietyp auf die zu ladende Batterie ab. BLUETTI haftet nicht für Schäden, die auf die Auswahl des falschen Produkts zurückzuführen sind.

6.5 BLUETTI tragbares Kraftwerk versorgt Wohnmobilgeräte über D40

Mit dem D40 können Sie Ihre Geräte im Wohnmobil auch über tragbare BLUETTI-Stationen wie die AC200L mit Strom versorgen.

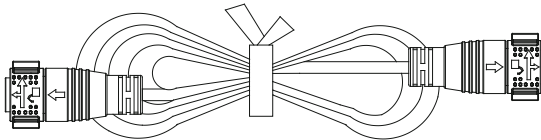


⚠ Hinweis:

Installieren Sie beim Anschluss von Wohnmobilgeräten einen Schutzschalter (40A) an der oben gezeigten Stelle.

Vorbereitung

- Überprüfen Sie, ob die tragbare Station und der D40 in gutem Zustand sind.
- Stellen Sie sicher, dass die Hausbatterie mit dem D40 kompatibel ist.
- Bereiten Sie die erforderlichen Anschlusskabel und den Anderson-Stecker vor.



DC-Eingangsstromkabel

Verdrahtung und Betrieb

1. Verbinden Sie den AC200L und den D40 über das DC-Eingangsstromkabel.
2. Schließen Sie die Geräte des Wohnmobils an den Gleichstromausgang des D40 an und achten Sie darauf, dass die richtigen Plus- und Minuspole verwendet werden.
3. Schalten Sie den AC200L ein und aktivieren Sie den DC-Ausgang; dadurch wird der D40 automatisch aktiviert.
4. Wählen Sie den elektrischen Modus des Wohnmobils im Bereich D40 CHARGE PROFILE.
 - a. Halten Sie (⏻) länger als 3 Sekunden gedrückt, bis die Anzeige CHARGE PROFILE blinkt.
 - b. Drücken Sie (⏻), um zu navigieren, bis alle Batterieanzeigen blinken.
 - c. Halten Sie die Taste (⏻) mehr als 3 Sekunden lang gedrückt, bis die blinkenden Anzeigen konstant leuchten, was bedeutet, dass der Lademodus aktiviert ist. Die Ladeanzeige leuchtet weiter, wenn die Wohnmobilgeräte erfolgreich mit Strom versorgt werden.

Hinweis:

- Beim Anschluss an Netzstationen wie dem AC200L schaltet sich der D40 automatisch ein, wenn das Gerät eingeschaltet ist und der Gleichstromausgang aktiviert ist. Um dies zu vermeiden, schalten Sie den Gleichstromausgang des AC200L aus.
- Beim Laden mit tragbaren BLUETTI-Stationen (z. B. AC200L) können Sie den Ladevorgang anhand des auf dem Bildschirm der Station angezeigten Ausgangsstatus überwachen.
- In diesem Modus erzeugt der D40 einen 12-V-Gleichstromausgang.


Hinweis:

- Vergewissern Sie sich vor dem Einschalten, dass die Geräte des Wohnmobils mit der richtigen Polarität angeschlossen sind.
- Die Verwendung dieses Modus PV/ENGINEC ist verboten.

7. Technische Daten

| Modell | D40 |
|---|--|
| Ladeleistung | 400 W |
| Gewicht | Ca. 2 kg / 4,4 lbs |
| Abmessungen (L × B × H) | 232,7 mm × 180,7 mm × 69,2 mm / 9,2 in × 7,1 in × 2,7 in |
| Arbeitstemperatur | -20 °C bis 45 °C |
| Lagertemperatur | -20 C bis 50 C |
| Luftfeuchtigkeit im Betrieb | 10 % bis 90 % |
| Geräuschemission (dB) | 43 dB max. |
| Arbeitshöhe | 2.000 m / 6.561 ft max. |
| Schutzgrad-Bewertung (Ingress Protection, IP) | IP20 |
| DC-Ausgang | |
| Max. Ausgangsstrom | 20 A max. (AC200L und andere tragbare Kraftwerke von BLUETTI) 30 A max. (Solarpaneel) |
| Ausgangsspannung | Blei-Säure: Max. Ausgangsspannung: 14,4 V, Batteriekapazität: >100 Ah |
| | LiFePO ₄ : Max. Ausgangsspannung: 14,4 V, Batteriekapazität: >100 Ah |
| | AGM / Gel: Max. Ausgangsspannung: 14,7 V, Batteriekapazität: >100 Ah |
| | Calcium: Max. Ausgangsspannung: 15,4 V, Batteriekapazität: >100 Ah |
| DC-Eingang | |
| 48-V-DC-Eingang | 45 V DC bis 60 V DC |
| PV / ENGINE | 12 V bis 36 V DC, 20 A max. |

8. Anweisungen zur Anzeige

| Anzeige | Funktion | Erläuterung |
|---|---|---|
|  | Anzeige des Stromversorgungsstatus | Die Anzeige leuchtet auf, wenn die 48-V-DC-Eingangsspannung 36 V oder die PV-/Starter-Eingangsspannung 12 V übersteigt und zeigt damit an, dass sich das D40 im Standby-Modus befindet. Andernfalls leuchtet die Anzeige nicht. |
| Blei-Säure | / | Die Anzeige leuchtet auf, wenn eine Blei-Säure-Hausbatterie geladen wird. |
| LiFePO ₄ | / | Die Anzeige leuchtet auf, wenn eine LiFePO ₄ -Hausbatterie geladen wird. |
| AGM/Gel | / | Die Anzeige leuchtet auf, wenn eine AGM/Gel-Hausbatterie geladen wird. |
| Kalzium | / | Die Anzeige leuchtet auf, wenn eine Kalzium-Hausbatterie geladen wird. |
| PV/ENGINE | / | An: Aufladen über Solarpaneele Ein und dann aus: Aufladen über die Starterbatterie |
| Laden | Anzeige des Ladestatus | Sie leuchtet, wenn die Hausbatterie geladen wird, und blinkt langsam (mit ca. 1,0 Hz), wenn sie vollständig geladen ist. |
| Alarm | Alarmanzeige | Die Anzeige leuchtet auf, wenn eine Störung vorliegt. Weitere Informationen dazu finden Sie in Kapitel 9: „Fehlerbehebung“. |
| 5 Arten von Lichtern gleichzeitig an | Stromversorgung der Ausrüstung in Ihrem Wohnmobil | / |

9. Fehlerbehebung

| Störung | Symptom | Grund | Lösung |
|--|--|--|---|
| Verpolungsschutz (Eingang) | Alle Anzeigen sind ausgeschaltet. | Ihr Gleichstromnetzteil hat die falsche Polarität. | <ol style="list-style-type: none"> 1. Prüfen Sie, ob der Anderson-Stecker mit der richtigen Polarität an den Anschluss PV INPUT (PV-Eingang) angeschlossen ist. 2. Stecken Sie die Anschlüsse korrekt ein, und prüfen Sie, ob das D40 ordnungsgemäß funktioniert. Wenn das Problem weiterhin auftritt, kontaktieren Sie bitte den BLUETTI Support. |
| Verpolungsschutz/Unterspannungsschutz/Hausbatterieanschluss abnormal (Ausgang) | Die Alarmanzeige leuchtet. Die Ladeanzeige blinkt langsam (mit ca. 1,5 Hz). | Der Anschluss DC OUTPUT hat die falsche Polarität. Es liegt ein Problem mit dem Anschluss der Wohnmobilhausbatterie vor. Die Spannung an beiden Batterieklemmen liegt unter 9 V. | <ol style="list-style-type: none"> 1. Prüfen Sie, ob der Anderson-Stecker mit der richtigen Polarität an den Anschluss DC OUTPUT (DC-Ausgang) angeschlossen ist. 2. Stecken Sie die Anschlüsse korrekt ein, und prüfen Sie, ob das D40 ordnungsgemäß funktioniert. 3. Prüfen Sie, ob die Spannung an beiden Batterieklemmen unter 9 V liegt. Wenn das Problem weiterhin auftritt, kontaktieren Sie bitte den BLUETTI Support. |
| Überspannung Eingang | Die Alarmanzeige leuchtet. Die Ladeanzeige blinkt langsam (mit ca. 3 Hz). | Die Spannung am PV/ENGINE INPUT überschreitet 38 V, was zu Geräteschäden führen kann. | <ol style="list-style-type: none"> 1. Ziehen Sie das Kabel vom Anschluss PV/ENGINE INPUT ab. 2. Überprüfen Sie das Gerät auf Beschädigungen und ersetzen Sie es durch ein neues Gerät, falls es beschädigt ist. 3. Vergewissern Sie sich, dass die Spannung am Anschluss PV/ENGINE INPUT zwischen 12 V und 36 V liegt. 4. Stellen Sie die Verbindung wieder her und prüfen Sie, ob das D40 ordnungsgemäß funktioniert. Wenn das Problem weiterhin auftritt, kontaktieren Sie bitte den BLUETTI Support. |
| Überspannungsschutz der Batterie (Ausgang) | Die Alarmanzeige leuchtet; Ladeanzeige aus; Die Batterieanzeige blinkt langsam (mit ca. 3 Hz). | Die Batteriespannung übersteigt die maximale Ausgangsspannung um 0,4 V. | <p>Überprüfen Sie die Batteriespannung.</p> <ul style="list-style-type: none"> · Wenn der Spannungsunterschied mehr als 0,4 V beträgt, tauschen Sie die Batterie aus und starten Sie den Ladevorgang erneut. Wenn der Ladevorgang immer noch nicht erfolgreich ist, wenden Sie sich bitte an den BLUETTI-Support, um Hilfe zu erhalten. · Wenn die Spannung unter 0,4 V liegt, wenden Sie sich bitte ebenfalls an den BLUETTI-Support. |

| Störung | Symptom | Grund | Lösung |
|--------------------------------|---|--|--|
| Übertemperaturschutz | Die Alarmanzeige blinkt langsam (mit ca. 1,5 Hz); Ladeanzeige aus. | Wenn die Temperatur des Geräts 70 °C erreicht, schaltet sich die Belüftung automatisch ein; bei 70 °C wird der Übertemperaturschutz aktiviert. | <ol style="list-style-type: none"> 1. Warten Sie 5 Minuten lang. Wenn das D40 nach dem Abkühlen wieder in Betrieb geht, deutet dies auf eine unzureichende Belüftung am aktuellen Standort hin. 2. Schalten Sie das D40 und alle zugehörigen Geräte aus. 3. Trennen Sie alle Kabel und entfernen Sie das D40 vom aktuellen Standort. 4. Positionieren Sie das D40 an einem geeigneten Standort. Wenn das Problem weiterhin auftritt, kontaktieren Sie bitte den BLUETTI Support. 5. Wenn der Übertemperaturschutz dreimal hintereinander ausgelöst wird, wird der Ausgang abgeschaltet. Drücken Sie (⏻), um den Ausgang wieder zu aktivieren. |
| LiFePO ₄ BMS-Schutz | Die Alarmanzeige leuchtet. Ladeanzeige aus; LiFePO ₄ -Anzeige blinkt schnell (mit ca. 1,5 Hz). | Wenn die Batteriespannung plötzlich abfällt, unterbricht der D40 den Ladevorgang | <ol style="list-style-type: none"> 1. Überprüfen Sie die LiFePO₄-Batterie und die Anschlüsse auf Anomalien. Tauschen Sie die Batterie aus und stecken Sie die Anschlüsse richtig ein. 2. Drücken Sie (⏻), um den Ausgang wieder zu aktivieren. Wenn das Problem weiterhin auftritt, kontaktieren Sie bitte den BLUETTI Support. |
| Überspannungsalarm am Eingang | Ladeanzeige aus Alarmanzeige blinkt 3Hz (schneller) | PV/ENGINE INPUT Spannung höher als 38V löst einen Alarm aus und kann das Gerät beschädigen. | <ol style="list-style-type: none"> 1. Ziehen Sie das Kabel des DC INPUT-Anschlusses ab und überprüfen Sie, ob das Gerät beschädigt ist. Wenn es beschädigt ist, ersetzen Sie bitte das intakte Gerät; 2. Überprüfen Sie die Spannung des DC INPUT-Anschlusses, stellen Sie sicher, dass der Spannungsbereich des Anschlusses 12V~36V beträgt; 3. Schließen Sie das Gerät wieder an, um zu sehen, ob der Ladevorgang normal verläuft; 4. Wenn Sie den Fehler immer noch nicht beheben können, wenden Sie sich bitte an den technischen Support von BLUETTI; |
| Überspannungsschutz der Last | Ladeanzeige aus Alarmanzeige leuchtet Entsprechende Batterieanzeige blinkt 3Hz (langsamer) | / | Starten Sie das Gerät neu, wenn es nach mehreren Neustarts immer noch nicht geladen werden kann, wenden Sie sich bitte an den technischen Support von BLUETTI; |

| Störung | Symptom | Grund | Lösung |
|--|--|--|--|
| Übertemperaturerschutz | Ladeanzeige aus Alarmanzeige 1,5Hz blinkend (langsamer) | Der Lüfter schaltet sich ein, wenn die Temperatur 70°C erreicht. Der Überhitzungsschutz wird ausgelöst, wenn die Temperatur 70°C erreicht. | <ol style="list-style-type: none"> 1. Stehen Sie 5 Minuten lang still. Wenn der D40 abkühlt und sich automatisch einschaltet, um den Ladevorgang fortzusetzen, bedeutet dies, dass die aktuelle Installationsumgebung dazu führen kann, dass der Luftein- und -auslass und der Luftkanal blockiert sind; 2. Schalten Sie den D40 und die zugehörigen Peripheriegeräte aus; 3. Ziehen Sie alle Kabel ab und entfernen Sie den D40 von seinem ursprünglichen Aufstellungsort; 4. Wählen Sie den Installationsort erneut aus; 5. Wiedereinbau; 6. Wenn der Fehler immer noch nicht behoben werden kann, wenden Sie sich bitte an den technischen Support von BLUETTI; <p>Bei drei aufeinanderfolgenden Übertemperatursicherungen wird der Ausgang vollständig abgeschaltet. Drücken Sie (⏻), um den Ausgang wieder einzuschalten.</p> |
| Hardware- und Software-Überstromschutz | Alarmanzeige leuchtet lange Ladekontrollleuchte 1,0Hz blinkend (langsamer) | / | <ol style="list-style-type: none"> 1. Wenn das Gerät den Ladevorgang nicht innerhalb von 1 Minute fortsetzt, starten Sie das Gerät neu und versuchen Sie es erneut. 2. Wenn Sie die Störung immer noch nicht beheben können, wenden Sie sich bitte an den technischen Kundendienst von |
| Schutz vor falscher Batterie | Ladekontrollleuchte 1,0Hz blinkend (langsamer) | / | Ersetzen Sie den Akku durch einen Ladeanschluss |
| Verpolungsschutz am Ausgang | Die Alarmanzeige leuchte leuchtet immer | / | <ol style="list-style-type: none"> 1. Bitte überprüfen Sie, ob die Polaritätsverbindung des DC-AUSGANGS-Ports Anderson korrekt ist (Plus ist mit Plus verbunden, Negativ ist mit Negativ verbunden); 2. Schließen Sie die Anderson-Klemmen richtig an; 3. Prüfen Sie, ob es normal aufgeladen werden kann; 4. Wenn der Fehler immer noch nicht behoben werden kann, wenden Sie sich bitte an den technischen Support von BLUETTI. |
| Sonstige | / | / | Wenden Sie sich bitte an den BLUETTI Support, um Unterstützung zu erhalten. |

Anhang 1 Häufig gestellte Fragen

F1: Tipps zur Wartung des DC-DC-Batterieladegeräts D40:

A: Um das D40-Ladegerät in einwandfreiem Zustand zu halten:

- a. Kontrollieren Sie regelmäßig die Anschlüsse.
- b. Halten Sie das Gerät sauber und trocken.
- c. Sorgen Sie für ausreichende Belüftung.

F2: Welche Arten von Solarmodulen sind mit dem D40-Ladegerät kompatibel?

A: Bevor Sie die Solarmodule anschließen, vergewissern Sie sich bitte, dass sie die folgenden Anforderungen erfüllen:

- a. Leerlaufspannung: 13-36 V
- b. Ausgestattet mit einem MC4-Stecker. Wenn das Solarmodul mit einem Anderson-Stecker ausgestattet ist, bereiten Sie bitte ein Anderson-MC4-Kabel vor.
Hinweis: Die tatsächliche Ladeleistung kann in Abhängigkeit von Faktoren wie Wetterbedingungen, Verfügbarkeit der Sonnenenergie und Ausrichtung der Solarmodule variieren.

Anhang 2 Abkürzungen

- DC: Gleichstrom (Direct Current)
- PV: Photovoltaik
- BMS: Batteriemanagementsystem

For more information, please visit:



@BLUETTI Support

@BLUETTI Official



@bluetti_official



@ bluetti.inc



@ bluetti_inc



sale-eu@bluettipower.com

EU | REP

Company: POWEROAK GmbH
Address: Lise-Meitner-Str. 14 28816
Stuhr Germany
Email: sale-de@bluettipower.com

Customer Service(DE)

Tel: +49 8006273016
Service Hours: Monday to Friday
9:00 - 17:00 (local time)

UK | REP

Company: POWEROAK ENERGY UK CO.,LTD
Address: Unit 2 NorthGate, Bolsover Business Park,
Woodhouse Lane Chesterfield England, S44 6BD
Email: sale-uk@bluettipower.com

Customer Service(UK)

Tel: +44 8000472906
Service Hours: Monday to Friday 9:00 - 17:00
(local time)

SHENZHEN POWEROAK NEWENER CO., LTD.

Address: F19, BLD No.1, Kaidaer, Tongsha Rd No.168,
Xili Street, Nanshan, Shenzhen, China

Warranty Card

Manufacture Date

Sale Date

File No.

Manufacturer

Warranty Instructions

1. 12-months warranty
2. After-Sale-Service mailbox: service@bluettipower.com
3. Following situations will go against the warranty terms:
 - A. Any problems, malfunction or damages due to incorrect using methods or caused by unauthorized disassembly or repair.
 - B. The damage caused by force majeure, fire and other extreme abnormal conditions.
 - C. Without the warranty card or the card records is not clear, complete, or without the sales company seal



BLUETTI

Certificate

Inspector: _____

QC: _____

Just Power On

P/N:17.0303.0708-01A1