

# Hub D1

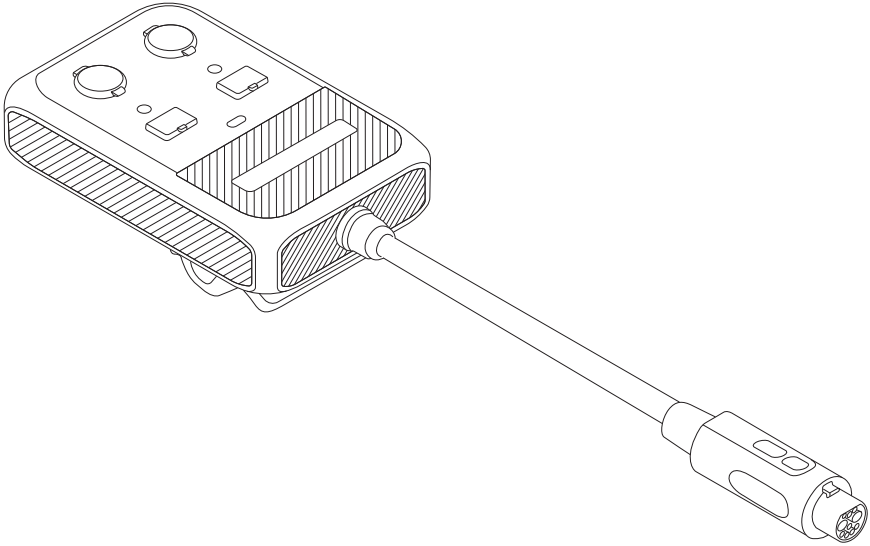
## DC Power Hub

### User Manual v1.2

#### Important Instructions

For optimal performance, update your unit to the latest firmware before use. See the appendix "Update Firmware via BLUETTI App" for guidance. Read and understand this manual before use and keep it handy for future reference.





## **Legal Information**

**Copyright © Shenzhen PowerOak Newener Co., Ltd. All rights reserved.**

No reproduction or transmission of any part of this document is permitted without the prior written consent of Shenzhen PowerOak Newener Co., Ltd.

### **Notice**

BLUETTI's products and services are subject to the terms and conditions agreed upon during purchase. Some aspects described in this manual may not be available under your purchase contract. Unless otherwise specified in the contract, BLUETTI makes no express or implied representations or warranties regarding the contents of this manual.

The contents of this manual are subject to change without notice. Please obtain the latest version from BLUETTI official website.

If you have any questions or concerns about this manual, please contact BLUETTI support for further assistance.

### **Shenzhen PowerOak Newener Co., Ltd.**

F19, BLD No.1, Kaidaer, Tongsha RD No.168, Xili street, Nanshan, Shenzhen, China

Website: <https://www.bluettipower.com/>

# Contents

1	Safety Information .....	05
2	In the Box .....	07
3	Introduction .....	07
4	Overview .....	07
5	Mounting .....	08
	5.1 Choose a Location .....	08
	5.2 Mount the Hub D1 .....	08
6	Usage .....	09
	6.1 Compatible BLUETTI Products .....	09
	6.2 Connect the Hub D1 .....	10
7	Specifications .....	11
8	Power Button Indicator Status .....	12
9	Troubleshooting .....	13
	FAQ .....	14
	Update Firmware via BLUETTI App .....	15
	Compliance .....	17

# 1. Safety Information

Before using this product, please read the manual carefully and follow all safety instructions. Pay close attention to the **Dangers**, **Notes**, and other safety labels in the manual and on the product itself. If you have any questions or encounter a situation not addressed in this manual, please contact us. Improper use or unauthorized operation may result in damage or injury, which is not covered by the warranty.

## 1.1 Important Guidelines

For optimal performance and safety, please follow these essential guidelines:

- Always operate and store the product in the conditions specified in this manual.
- Ensure the product is used in compliance with all relevant standards and regulations.
- Avoid unauthorized modifications, disassembly, or software changes.

BLUETTI is not liable for the following situations or any resulting consequences:

- Damage caused by natural disasters, including earthquakes, fires, floods, or storms.
- Damage that occurs during customer-handled transportation.
- Issues caused by improper storage or use outside the conditions specified in this manual.
- Hardware damage or data loss resulting from customer negligence, misuse, or intentional harm.
- System failures due to third-party or customer actions, including improper handling or installation not in line with this manual.
- Damage caused by unauthorized repairs, adjustments, or removal of product labels.
- Damage or safety risks caused by using non-BLUETTI devices to power this product.
- Accidents or safety concerns arising from using the product in critical applications, such as nuclear, aviation, or medical fields, where high reliability is essential for personal safety or operation.

## 1.2 Instructions Pertaining to Risk of Fire, Electric Shock, or Injury to Persons



**Danger:** To ensure safe operation, please follow the instructions below.

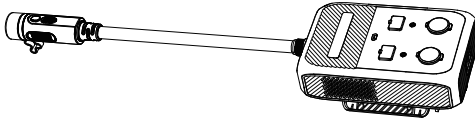
- Disconnect the power source before performing any electrical work on the product.
- Do not clean the product with water. If exposed to moisture, ensure it's completely dry before use.
- Keep the product away from heat sources or high-temperature environments.
- Never use the product near open flames, explosive gases, or in environments with smoke, vapors, or other hazardous conditions. Also, avoid humid, salty, or corrosive areas.

- Do not insert any objects or body parts into the product's openings or vents.
- Do not use metal tools or objects to contact the product while it is operating.
- Make sure the area around the product is clean, clear, and free from obstructions to allow proper airflow.
- Do not open or modify the product yourself. Only qualified personnel should perform repairs or replace parts using BLUETTI-approved components.
- Keep children and pets away from the product while it is in use.
- Regularly inspect the product for visible damage. If the casing is cracked or broken, stop using it immediately and contact BLUETTI support or an authorized dealer.
- If the product malfunctions, immediately turn it off. Contact BLUETTI support if needed.

### **1.3 Usage Guidelines**

- Ensure the power source is powered off before connecting the product.
- Before connecting devices, verify that the voltage from the RV port, cigarette lighter port, or DC5521 port matches the device's voltage requirements (12V or 24V). The power button indicator will show green for 12V and blue for 24V.

## 2. In the Box



Hub D1



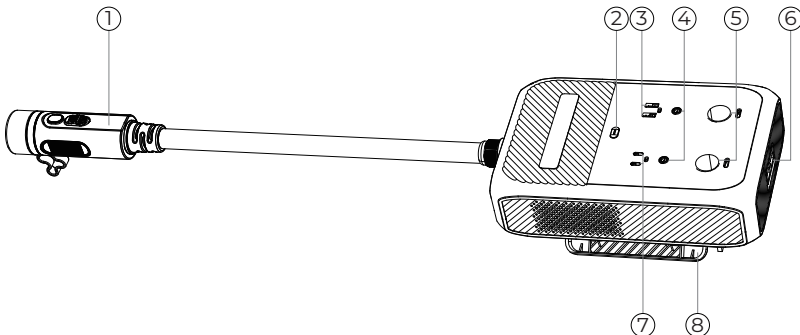
Documentation

## 3. Introduction

The Hub D1 is a versatile DC Power Hub with a maximum output of 700W. It's compatible with BLUETTI Apex 300 portable power station, B300K, and B300 expansion batteries, and future models featuring 48V/90A P090D interfaces. Featuring multiple output options, including RV, cigarette lighter, DC5521, USB-C, and USB-A, it can power a variety of DC devices.

With Bluetooth connectivity, you can control the Hub D1 via the BLUETTI app. Switch between 12V and 24V output settings on the RV, cigarette lighter, and DC5521 ports, while monitoring real-time voltage, power usage, and system status.

## 4. Overview



① P090D Connector

② Power Button

③ USB-A Ports

④ DC5521 Ports

⑤ Cigarette Lighter Ports

⑥ RV Port

⑦ USB-C Ports

⑧ Mounting Clip

## 5. Mounting

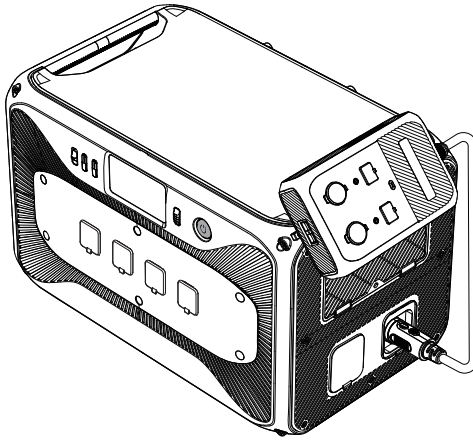
### 5.1 Choose a Location

Choose a dry, cool spot to mount the Hub D1. Make sure the area around it is clear and there's enough space for proper airflow.

### 5.2 Mount the Hub D1

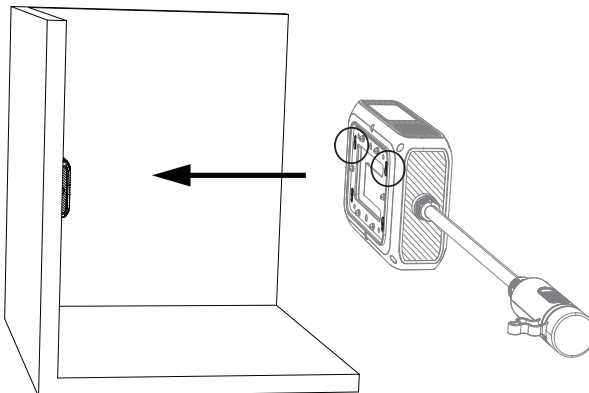
#### Option 1: Mounting on a Power Station Handle

Attach the Hub D1 to the handle of the B300, B300K, or Apex 300 using the clip.



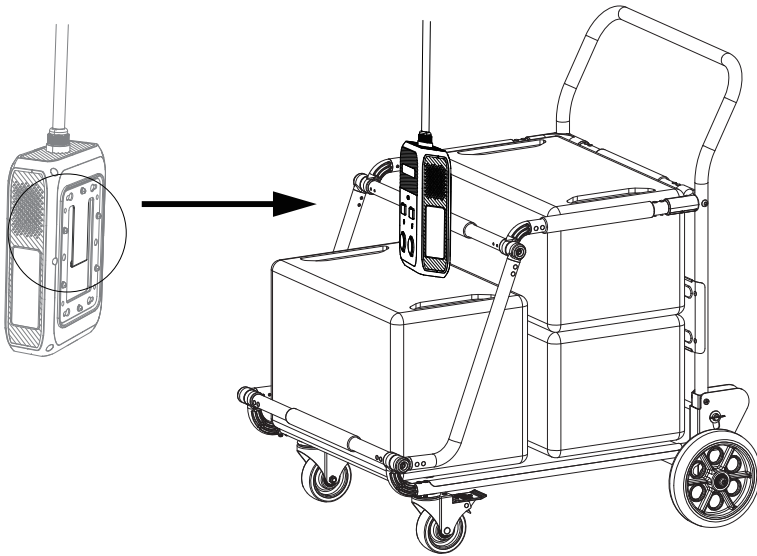
#### Option 2: Wall Mounting

Remove the clip and use the metal bracket on the back to mount the Hub D1 to a wall.



### Option 3: Strap Mounting

After removing the clip, use a strap to attach the Hub D1 to a cart bar or any other stable structure.



## 6. Usage

### 6.1 Compatible BLUETTI Products

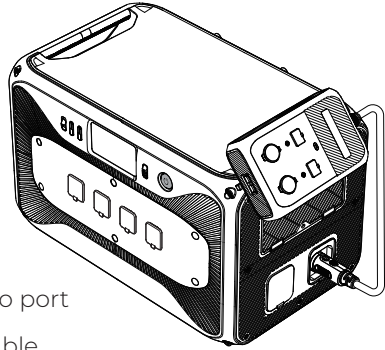
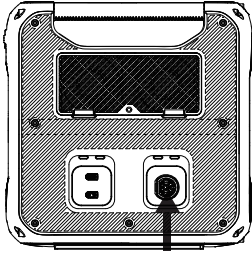
The Hub D1 is compatible with the following BLUETTI products:

- Apex 300 portable power station
- B300 and B300K expansion batteries
- Future models with 48V/90A P090D ports

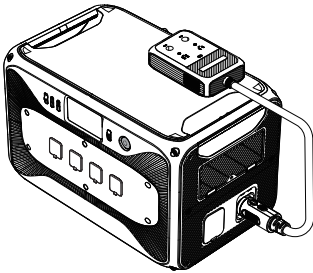
**⚠ Notice:** The Hub D1 will only work with BLUETTI-approved power sources, and the power source must have a State of Charge (SoC) greater than 0.

## 6.2 Connect the Hub DI

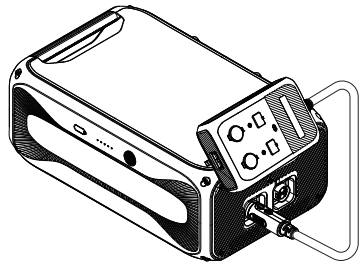
Insert the P090D connector into the expansion port of the Apex 300, B300K, or B300.



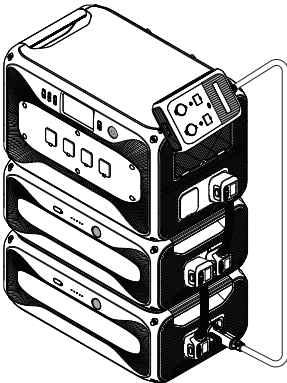
- ① Press down to insert cable into port
- ② Push to lock cable in place



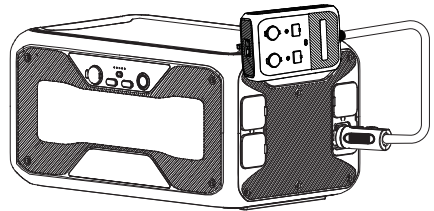
Apex 300



B300K



Apex 300 + B300K



B300

## 7. Specifications

Model	Hub D1
Weight	Approx. 1.9 kg (4.19 lbs)
Size (L×W×H)	250 mm × 160 mm × 73 mm (9.84 × 6.30 × 2.87 in)
Cable Length	1.5 m (4.92 ft)
Operating Temperature	-20°C to 45°C (-4°F to 113°F)
Operating Humidity	10% to 90%
Storage Temperature	-20°C to 60°C (-4°F to 140°F)
Storage Humidity	0% to 90%
Noise Level	50dB Max.
Operating Altitude	<2000 m

### Input

Interface	P090D
Input Voltage	42VDC to 58VDC
Input Current	20A
Compatibility	Apex 300, B300K, B300

### Output

RV Port × 1	12VDC/50A; 24VDC/25A
Cigarette Lighter Port / DC5521 × 2	12VDC/10A; 24VDC/5A
USB-C Port × 2	5/9/12/15/20VDC,3A; 20VDC,5A
USB-A Port × 2	5VDC/3A
Total Output	700W Max.




**Note:** The cigarette lighter and DC5521 ports are wired in parallel with a combined maximum output of 120W. Each port can provide up to 120W when used individually. Similarly, the two USB-A ports share a total output of 15W, with each providing up to 15W individually.

- The cigarette lighter port cannot be used to charge lead-acid batteries.

## 8. Power Button Indicator Status

Status	Conditions
On	Power is on
Off	Power is off
Green	RV/cigarette lighter/DC5521 providing 12V output
Blue	RV/cigarette lighter/DC5521 providing 24V output
Flashing	Output failure (short circuit, over-voltage, over-current, or over-temperature), pre-charge fault, or input over/under voltage
Flashing slowly (twice every 6 seconds)	Power connected, but P090D connector not locked

 **Note:** If there's input over-voltage or under-voltage, the indicator will flash, even if the Hub D1 isn't powered on.

## 9. Troubleshooting

Error Code	Description	Solution
E010	Input Overvoltage	<ul style="list-style-type: none"> <li>• Unplug the Hub D1.</li> <li>• Stop charging the power source.</li> </ul>
E011	Input Undervoltage	<ul style="list-style-type: none"> <li>• Unplug the Hub D1.</li> <li>• Charge the power source.</li> </ul>
E027	Output Overload (The RV port is in use, but no "E067 Output Overcurrent" error is reported)	<ul style="list-style-type: none"> <li>• If the Hub D1's total output exceeds 700W, it will turn off the cigarette lighter/DC5521, USB-A, and USB-C outputs sequentially until the power drops below 700W.</li> <li>• Use the BLUETTI app to identify the devices that are turned off (they'll show 0V). Unplug them. The remaining devices will keep working, even if the "E027 Output Overload" error appears.</li> <li>• To clear the error code, restart the Hub D1.</li> </ul>
E065	Output Short Circuit	<ul style="list-style-type: none"> <li>• Check all output ports for damage or foreign objects, or inspect the device's cable for any damage that could cause a short circuit.</li> <li>• If only one device is connected, unplug it and restart the Hub D1.</li> <li>• If multiple devices are connected, use the app to identify the shorted devices (they'll show 0V). Then, unplug them and restart the Hub D1.</li> </ul>
E066	Output Overvoltage	<ul style="list-style-type: none"> <li>• Use the BLUETTI app to identify the overvoltage devices (they'll show 0V).</li> <li>• Disconnect the overvoltage devices and restart the Hub D1.</li> <li>• If the issue persists, contact BLUETTI support.</li> </ul>
E067	Output Overcurrent	<ul style="list-style-type: none"> <li>• If only one device is connected, unplug it and restart the Hub D1.</li> <li>• If multiple devices are connected, use the app to identify the overcurrent devices (they'll show 0V), unplug them, and restart the Hub D1.</li> </ul>
E068	Output Overtemperature	<ul style="list-style-type: none"> <li>• Check that cables are securely connected.</li> <li>• Ensure the fan is working and not blocked.</li> <li>• Make sure the air vent is clear.</li> <li>• Avoid using Hub D1 in high-temperature environments.</li> </ul>
E069	Pre-charge fault	<ul style="list-style-type: none"> <li>• Check the connection with BLUETTI products.</li> <li>• Ensure the locking mechanism is engaged.</li> <li>• Restart the Hub D1 if everything is fine.</li> </ul>
Others	/	<ul style="list-style-type: none"> <li>• Contact BLUETTI support if needed.</li> </ul>

## Frequently Asked Questions (FAQs)

**Q1:** Maintenance tips.

**A:** To keep the Hub D1 in good working condition:

- a. Keep it clean and dry.
- b. Ensure proper ventilation around it.

**Q2:** How to tell if the output voltage of the RV port, the cigarette lighter port and the DC5521 port is 12 V or 24 V? And how to switch the voltage?

**A:** Verify the output voltage with the power button indicator light. When it's green, the voltage is 12 volts. If it's blue, it's 24 volts. Power off the Hub D1, and then switch the output voltage via the BLUETTI app. Remember to always check the voltage before connecting your devices to prevent damage to both your devices and the Hub D1.

**Q3:** Does the Hub D1 come with any safety features?

**A:** Yes, the Hub D1 includes several safety protections, including over-current, over-voltage, overload, short-circuit, and over-temperature protection, as well as input under-voltage and over-voltage protection.

**Q4:** How to monitor the Hub D1's output when connecting it to the B300 or B300K expansion battery?

**A:** Download the BLUETTI app and connect to the Hub D1 via Bluetooth. The app will show real-time information, like the voltage, power for each port, total power, and any error codes that may occur.

**Q5:** Why can't the Hub D1 be connected via Bluetooth when it connects to the Apex 300?

**A:** When connected to the Apex 300, the Bluetooth on Hub D1 automatically enters sleep mode. However, the Hub D1 can still be monitored by connecting the Apex 300 to the app via Bluetooth.

# Update Firmware via BLUETTI App

Keeping the firmware updated is crucial for optimal performance. For detailed instructions, refer to the application user manual within the app. Using the Elite 200 V2 upgrade as an example.

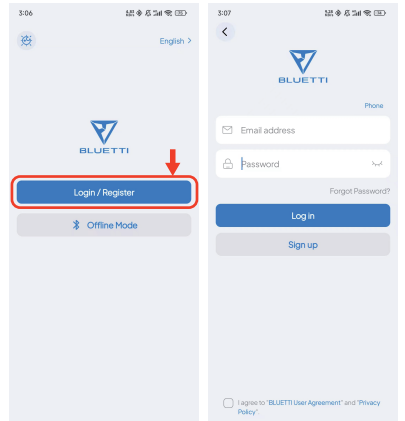
## 1. Download the BLUETTI app

Scan the QR code or search for “BLUETTI” in the App Store or Google Play to download the app.



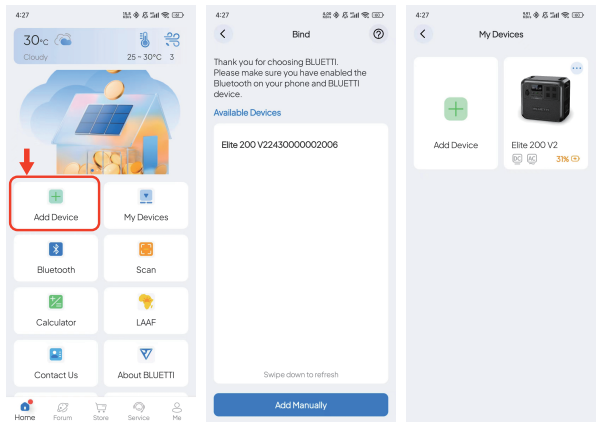
## 2. Log in or sign up

Log in with a BLUETTI account. If there is no account, create one by following the on-screen instructions.



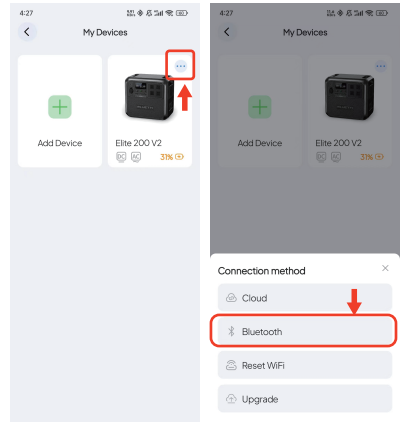
## 3. Bind the unit

- Tap Add Device directly or access My Devices > Add Device to start the process.
- Select the unit from the available device list, or choose Add Manually and enter the unit's serial number (SN).
- Alternatively, tap Scan on the Home page or in Add Device page to bind via QR code.



#### 4. Connect via Bluetooth

On the My Devices page, tap the unit and select Bluetooth as the connection method.

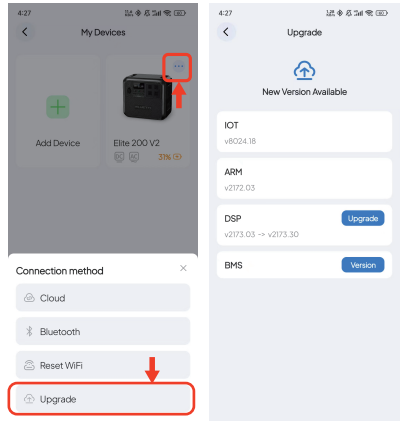


#### 5. Check for Firmware Updates

Tap Upgrade to access the Upgrade page. The app will check for the latest firmware version available for the unit.

#### 6. Download and Install the Update

If a new firmware update is available, tap Upgrade and follow the on-screen instructions.



#### Note:

- Ensure the unit remains powered on and connected during the update.
- Keep your phone and the unit close together (recommended range: 5m / 16.4ft).
- Do not exit app until done.

# Compliance

## • FCC Statement

This device complies with part 15 of the FCC Rules. Operation is subject to the following two conditions:

- (1) This device may not cause harmful interference.
- (2) This device must accept any interference received, including interference that may cause undesired operation.

This equipment has been tested and found to comply with the limits for a Class B digital device, pursuant to part 15 of the FCC Rules. These limits are designed to provide reasonable protection against harmful interference in a residential installation. This equipment generates, uses and can radiate radio frequency energy and, if not installed and used in accordance with the instructions, may cause harmful interference to radio communications. However, there is no guarantee that interference will not occur in a particular installation. If this equipment does cause harmful interference to radio or television reception, which can be determined by turning the equipment off and on, the user is encouraged to try to correct the interference by one or more of the following measures:

- Reorient or relocate the receiving antenna.
- Increase the separation between the equipment and receiver.
- Connect the equipment into an outlet on a circuit different from that to which the receiver is connected.
- Consult the dealer or an experienced radio / TV technician for help.

**FCC Caution:** Any changes or modifications not expressly approved by the party responsible for compliance could void the user's authority to operate this equipment.

## IMPORTANT NOTE: FCC Radiation Exposure Statement

This equipment complies with FCC radiation exposure limits set forth for an uncontrolled environment. This equipment should be installed and operated with a minimum distance of 20cm between the radiator and your body.

## • IC Caution

This device contains licence-exempt transmitter(s) / receiver(s) that comply with Innovation, Science and Economic Development Canada's licence-exempt RSS(s). Operation is subject to the following two conditions:

- (1) This device may not cause interference.
- (2) This device must accept any interference, including interference that may cause undesired operation of the device.

**RF exposure statement:** The equipment complies with IC Radiation exposure limits set forth for uncontrolled environments. This equipment should be installed and operated with a minimum distance of 20cm between the radiator and your body.

L'émetteur/récepteur exempt de licence contenu dans le présent appareil est conforme aux CNR d'Innovation, Sciences et Développement économique Canada applicables aux appareils radio exempts de licence. L'exploitation est autorisée aux deux conditions suivantes:

- (1) L' appareil ne doit pas produire de brouillage;
- (2) L' appareil doit accepter tout brouillage radioélectrique subi, même si le brouillage est susceptible d' en compromettre le fonctionnement.

**Déclaration d'exposition aux RF :** L'équipement est conforme aux limites d'exposition aux rayonnements IC définies pour les environnements non contrôlés. Cet équipement doit être installé et utilisé avec une distance minimale de 20 cm entre le radiateur et votre corps.

**CAN ICES-3 (B)/NMB-3(B) (Canada)**

This Class B digital apparatus complies with Canadian ICES-003.

# Need Help? We're here for you!

☎ +1 800-200-2980 (Mon-Sun 9:00-17:00)

✉ service@bluettipower.com



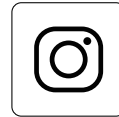
@ BLUETTI Official



@ bluetti\_inc



@bluetti.inc



@bluetti.inc

## Visit Us

**SHENZHEN POWEROAK NEWENER CO., LTD.**

19F, Block A, Kaidaer Bldg., No. 168 Tong Sha Rd, Shenzhen, China

**BLUETTI Power Inc.**

6185 S Valley View Blvd, Ste D, Las Vegas, NV 89118, US



# Hub D1

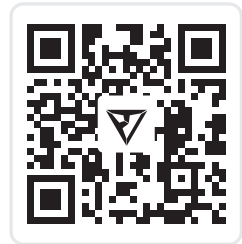
## Hub d'alimentation CC

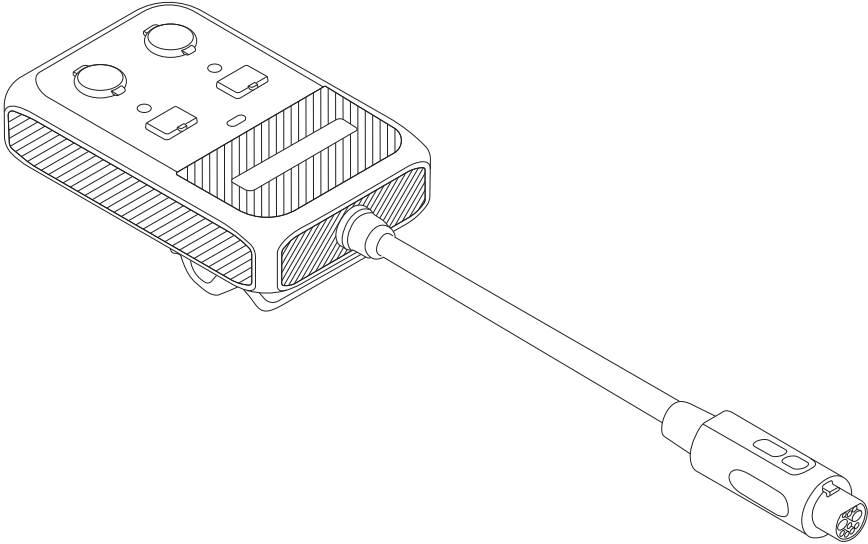
### Manuel d'utilisation v1.2

#### Instructions importantes

Pour des performances optimales, mettez à jour votre unité vers le dernier micrologiciel avant utilisation. Voir l'annexe « Mettre à jour le micrologiciel via l'application BLUETTI » pour obtenir des conseils.

Lisez et comprenez ce manuel avant utilisation et gardez-le à portée de main pour référence future.





## Informations légales

**Copyright © Shenzhen PowerOak Newener Co., Ltd. Tous droits réservés.**

Aucune reproduction ou transmission d'une partie quelconque de ce document n'est autorisée sans le consentement écrit préalable de Shenzhen PowerOak Newener Co., Ltd.

### Notification

Les produits et services de BLUETTI sont soumis aux conditions générales convenues lors de l'achat. Certains aspects décrits dans ce manuel peuvent ne pas être disponibles dans le cadre de votre contrat d'achat. Sauf indication contraire dans le contrat, BLUETTI ne fait aucune déclaration ni garantie expresse ou implicite concernant le contenu de ce manuel.

Le contenu de ce manuel est sujet à changement sans préavis. Veuillez obtenir la dernière version sur le site officiel BLUETTI.

Si vous avez des questions ou des préoccupations concernant ce manuel, veuillez contacter le support BLUETTI pour obtenir de l'aide.

**Shenzhen PowerOak Newener Co., Ltd.**

F19, BLD No.1, Kaidaer, Tongsha RD No.168, Xili street, Nanshan, Shenzhen, China

Site Web : <https://www.bluettipower.com/>

## Table des matières

1	Consignes de sécurité .....	25
2	Contenu de l'emballage .....	27
3	Introduction .....	27
4	Aperçu .....	27
5	Montage .....	28
	5.1 Choisir un emplacement .....	28
	5.2 Monter le Hub D1 .....	28
6	Utilisation .....	29
	6.1 Produits BLUETTI compatibles .....	29
	6.2 Connecter le Hub D1 .....	30
7	Caractéristiques .....	31
8	État de l'indicateur du bouton d'alimentation .....	32
9	Dépannage .....	33
	FAQ .....	34
	Mettre à jour le micrologiciel via l'application BLUETTI .....	35
	Avertissement sur les circuits contrôlés .....	37

# 1. Consignes de sécurité

Avant d'utiliser ce produit, veuillez lire attentivement le manuel et suivre toutes les consignes de sécurité. Faites très attention aux mentions **Dangers**, **Remarques**, ainsi qu'aux autres étiquettes de sécurité dans le manuel et sur le produit lui-même. Si vous avez des questions ou rencontrez une situation non abordée dans ce manuel, veuillez nous contacter. Une utilisation incorrecte ou un fonctionnement non autorisé peut entraîner des dommages ou des blessures, qui ne sont pas couverts par la garantie.

## 1.1 Directives importantes

Pour des performances et une sécurité optimales, veuillez suivre ces directives essentielles :

- Utilisez et stockez toujours le produit dans les conditions spécifiées dans ce manuel.
- Assurez-vous que le produit est utilisé conformément à toutes les normes et réglementations en vigueur.
- Évitez les modifications, le démontage ou les modifications logicielles non autorisés.

BLUETTI n'est pas responsable des situations suivantes ni des conséquences qui en découlent :

- Dommages causés par des catastrophes naturelles, notamment des tremblements de terre, des incendies, des inondations ou des tempêtes.
- Dommages survenant pendant le transport effectué par le client.
- Problèmes causés par un stockage inapproprié ou une utilisation en dehors des conditions spécifiées dans ce manuel.
- Dommages matériels ou perte de données résultant de la négligence du client, d'une mauvaise utilisation ou d'un préjudice intentionnel.
- Défaillances du système dues à des actions de tiers ou du client, y compris une manipulation ou une installation incorrecte non conforme à ce manuel.
- Dommages causés par des réparations, des réglages ou le retrait non autorisés des étiquettes des produits.
- Dommages ou risques de sécurité causés par l'utilisation d'appareils non-BLUETTI pour alimenter ce produit.
- Accidents ou problèmes de sécurité découlant de l'utilisation du produit dans des applications critiques, telles que les domaines nucléaire, aéronautique ou médical, où une fiabilité élevée est essentielle pour la sécurité personnelle ou le fonctionnement.

## 1.2 Instructions relatives au risque d'incendie, d'électrocution ou de blessures corporelles



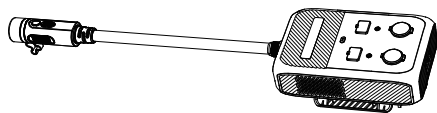
**Danger** : pour garantir un fonctionnement sûr, veuillez suivre les instructions ci-dessous.

- Débranchez la source d'alimentation avant d'effectuer un travail électrique sur le produit.
- Ne nettoyez pas le produit avec de l'eau. En cas d'exposition à l'humidité, assurez-vous qu'il est complètement sec avant de l'utiliser.
- Conservez le produit à l'écart des sources de chaleur ou des environnements à haute température.
- N'utilisez jamais le produit à proximité de flammes nues, de gaz explosifs ou dans des environnements contenant de la fumée, des vapeurs ou d'autres conditions dangereuses. Évitez également les zones humides, salées ou corrosives.
- N'insérez aucun objet ni aucune partie du corps dans les ouvertures ou les événements du produit.
- N'utilisez pas d'outils ou d'objets métalliques pour toucher le produit pendant son fonctionnement.
- Assurez-vous que la zone autour du produit est propre, dégagée et exempte d'obstructions pour permettre une bonne circulation de l'air.
- N'ouvrez pas et ne modifiez pas le produit vous-même. Seul du personnel qualifié doit effectuer des réparations ou remplacer des pièces en utilisant des composants approuvés par BLUETTI.
- Gardez les enfants et les animaux domestiques éloignés du produit pendant son utilisation.
- Inspectez régulièrement le produit en recherchant tout dommage visible. Si le boîtier est fissuré ou cassé, cessez immédiatement de l'utiliser et contactez le support BLUETTI ou un revendeur agréé.
- Si le produit ne fonctionne pas correctement, éteignez-le immédiatement. Contactez le support BLUETTI si nécessaire.

### 1.3 Directives d'utilisation

- Assurez-vous que la source d'alimentation est hors tension avant de connecter le produit.
- Avant de connecter des appareils, vérifiez que la tension du port pour camping-car, du port allume-cigare ou du port DC5521 correspond aux exigences de tension de l'appareil (12 V ou 24 V). Le voyant du bouton d'alimentation s'allume en vert pour 12 V et en bleu pour 24 V.

## 2. Contenu de l'emballage



Hub D1



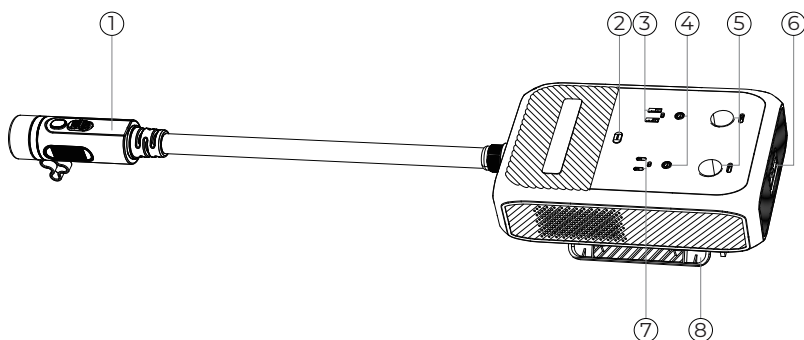
Documentation

## 3. Introduction

Le Hub D1 est un Hub d'alimentation CC polyvalent doté d'une puissance de sortie maximale de 700 W. Il est compatible avec la centrale électrique portable BLUETTI Apex 300, les batteries d'extension B300K et B300, ainsi que les futurs modèles dotés d'interfaces P090D 48 V/90 A. Comportant plusieurs options de sortie, notamment pour camping-car, allume-cigare, DC5521, USB-C et USB-A, il peut alimenter toute une gamme d'appareils CC.

Grâce à la connectivité Bluetooth, vous pouvez contrôler le Hub D1 via l'application BLUETTI. Basculez entre les paramètres de sortie 12 V et 24 V sur les ports pour camping-car, allume-cigare et DC5521, tout en surveillant la tension en temps réel, la consommation électrique et l'état du système.

## 4. Aperçu



- ① Connecteur P090D
- ② Bouton d'alimentation
- ③ Ports USB-A
- ④ Ports DC5521
- ⑤ Ports pour allume-cigare
- ⑥ Port pour camping-car
- ⑦ Ports USB-C
- ⑧ Clip de fixation

## 5. Montage

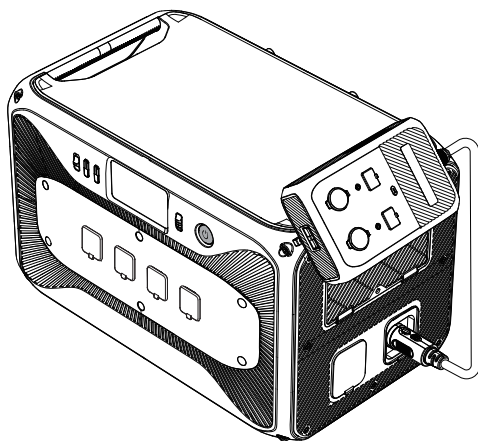
### 5.1 Choisissez un emplacement

Choisissez un endroit sec et frais pour monter le Hub D1. Assurez-vous que la zone autour est dégagée et qu'il y a suffisamment d'espace pour une bonne circulation de l'air.

### 5.2 Monter le Hub D1

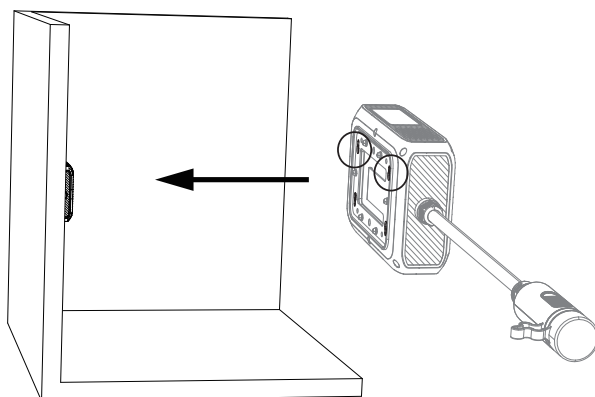
#### Option 1 : Montage sur une poignée de centrale électrique

Fixez le Hub D1 sur la poignée du B300, B300K ou Apex 300 à l'aide du clip.



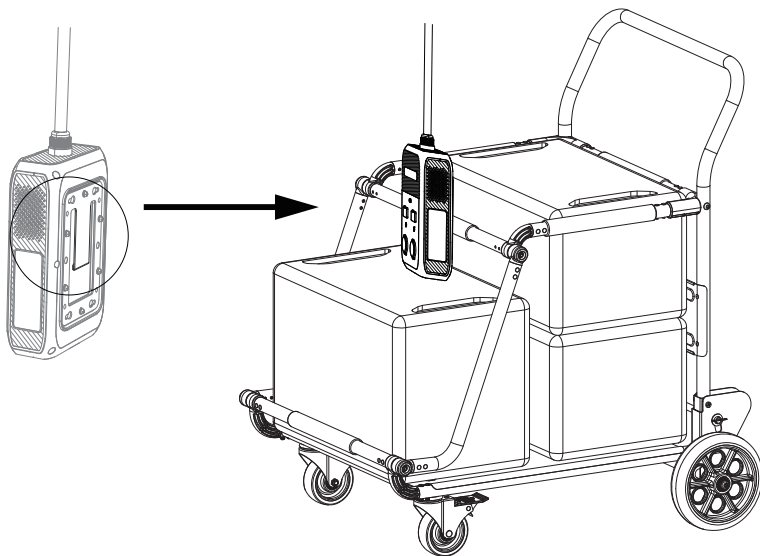
#### Option 2 : Montage mural

Retirez le clip et utilisez le support métallique à l'arrière pour monter le Hub D1 sur un mur.



### Option 3 : Montage de la sangle

Après avoir retiré le clip, utilisez une sangle pour fixer le Hub D1 à une barre de chariot ou à toute autre structure stable.



## 6. Utilisation

### 6.1 Produits BLUETTI compatibles

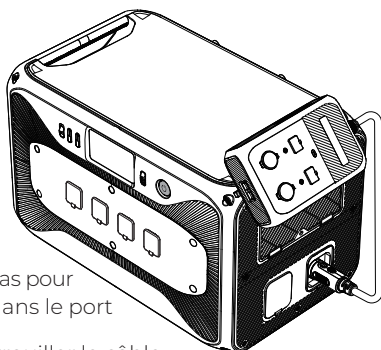
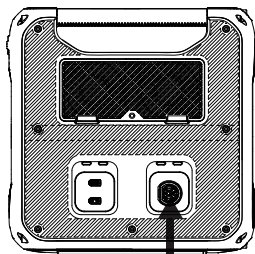
Le Hub D1 est compatible avec les produits BLUETTI suivants :

- Centrale électrique portable Apex 300
- Batteries d'extension B300 et B300K
- Modèles futurs avec ports P090D 48 V/90 A

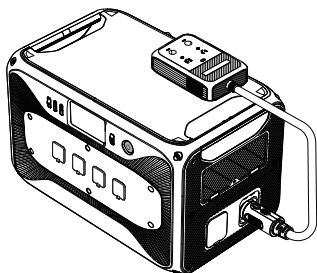
**⚠ Avis :** le Hub D1 ne fonctionnera qu'avec des sources d'alimentation approuvées par BLUETTI, et la source d'alimentation doit avoir un état de charge (SoC) supérieur à 0.

## 6.2 Connecter le Hub D1

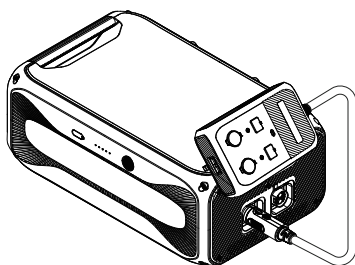
Insérez le connecteur P090D dans le port d'extension de l'Apex 300, B300K ou B300.



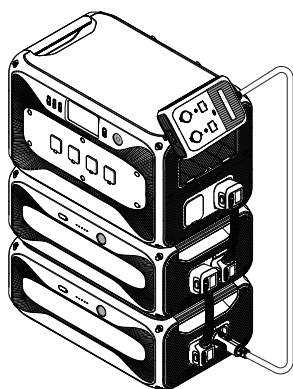
- ① Appuyez vers le bas pour insérer le câble dans le port
- ② Pousser pour verrouiller le câble en place



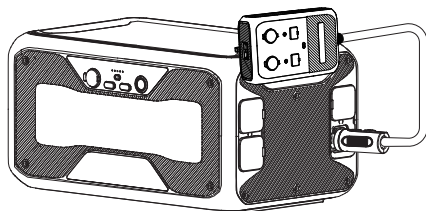
Apex 300



B300K



Apex 300 + B300K



B300

## 7. Caractéristiques


Modèle	Hub D1
Poids	Environ 1,9 kg
Dimensions (L × l × H)	250 mm × 160 mm × 73 mm
Longueur du câble	1,5 m
Température de fonctionnement	-20 °C à 45 °C
Humidité de fonctionnement	10 % à 90 %
Température de stockage	-20 °C à 60 °C
Humidité de stockage	10 % à 90 %
Niveau de bruit	50 dB max.
Altitude de fonctionnement	< 2 000 m

### Entrée

Interface	P090D
Tension d'entrée	42 V CC à 58 V CC
Courant d'entrée	20 A
Compatibilité	Apex 300, B300K, B300

### Sortie


Port pour camping-car × 1	12 V CC/50 A ; 24 V CC/25 A
Port pour allume-cigare/DC5521 × 2	12 V CC/10 A ; 24 V CC/5 A
Port USB-C × 2	5/9/12/15/20 V CC, 3 A ; 20 V CC, 5 A
Port USB-A × 2	5 V CC/3 A
Sortie totale	700 W max.

 **Remarque** : Les ports allume-cigare et DC5521 sont câblés en parallèle, avec une puissance de sortie maximale combinée de 120 W. Chaque port peut fournir jusqu'à 120 W lorsqu'il est utilisé individuellement. De même, les deux ports USB-A partagent une puissance totale de 15 W, chacun fournissant jusqu'à 15 W individuellement.

- Le port allume-cigare ne peut pas être utilisé pour charger des batteries au plomb-acide.

## 8. État de l'indicateur du bouton d'alimentation

État	Conditions
Activé	L'appareil est sous tension
Désactivé	Mettez-le hors tension
Vert	Camping-car/allume-cigare/DC5521 fournissant une sortie 12 V
Bleu	Camping-car/allume-cigare/DC5521 fournissant une sortie 24 V
Clignotant	Défaillance de sortie (court-circuit, surtension, surintensité ou surchauffe), défaut de précharge ou sur/sous-tension d'entrée
Clignotant lentement (deux fois toutes les 6 secondes)	Alimentation connectée, mais le connecteur P090D n'est pas verrouillé

 **Remarque** : en cas de surtension ou de sous-tension d'entrée, l'indicateur clignote, même si le Hub D1 n'est pas sous tension.

## 9. Dépannage

Code d'erreur	Description	Solution
E010	Surtension d'entrée	<ul style="list-style-type: none"> <li>• Débranchez le Hub D1.</li> <li>• Arrêtez de charger la source d'alimentation.</li> </ul>
E011	Sous-tension d'entrée	<ul style="list-style-type: none"> <li>• Débranchez le Hub D1.</li> <li>• Chargez la source d'alimentation.</li> </ul>
E027	Surcharge de sortie (le port pour camping-car est utilisé, mais aucune erreur « E067 Surintensité de sortie » n'est signalée)	<ul style="list-style-type: none"> <li>• Si la puissance totale du Hub D1 dépasse 700 W, il mettra hors tension successivement les sorties allume-cigare/DC5521, USB-A et USB-C, jusqu'à ce que la puissance descende en dessous de 700 W.</li> <li>• Utilisez l'application BLUETTI pour identifier les appareils hors tension (ils afficheront 0 V). Débranchez-les. Les appareils restants continueront de fonctionner, même si l'erreur « E027 Surcharge de sortie » apparaît.</li> <li>• Pour effacer le code d'erreur, redémarrez le Hub D1.</li> </ul>
E065	Court-circuit de sortie	<ul style="list-style-type: none"> <li>• Vérifiez l'absence de dommages ou de corps étranger sur tous les ports de sortie, et inspectez le câble de l'appareil en recherchant d'éventuels dommages pouvant provoquer un court-circuit.</li> <li>• Si un seul appareil est connecté, débranchez-le et redémarrez le Hub D1.</li> <li>• Si plusieurs appareils sont connectés, utilisez l'application pour identifier les appareils en court-circuit (ils afficheront 0 V). Ensuite, débranchez-les et redémarrez le Hub D1.</li> </ul>
E066	Surtension de sortie	<ul style="list-style-type: none"> <li>• Utilisez l'application BLUETTI pour identifier les appareils en surtension (ils afficheront 0 V).</li> <li>• Débranchez les appareils en surtension et redémarrez le Hub D1.</li> <li>• Si le problème persiste, contactez le support BLUETTI.</li> </ul>
E067	Surintensité de sortie	<ul style="list-style-type: none"> <li>• Si un seul appareil est connecté, débranchez-le et redémarrez le Hub D1.</li> <li>• Si plusieurs appareils sont connectés, utilisez l'application pour identifier les appareils en surintensité (ils afficheront 0 V), débranchez-les, puis redémarrez le Hub D1.</li> </ul>
E068	Surchauffe de la sortie	<ul style="list-style-type: none"> <li>• Vérifiez que les câbles sont connectés correctement.</li> <li>• Assurez-vous que le ventilateur fonctionne et qu'il n'est pas bloqué.</li> <li>• Assurez-vous que la grille d'aération est dégagée.</li> <li>• Évitez d'utiliser le Hub D1 dans des environnements à haute température.</li> </ul>
E069	Défaut de précharge	<ul style="list-style-type: none"> <li>• Vérifiez la connexion avec les produits BLUETTI.</li> <li>• Assurez-vous que le mécanisme de verrouillage est engagé.</li> <li>• Redémarrez le Hub D1 si tout est correct.</li> </ul>
Autres	/	<ul style="list-style-type: none"> <li>• Contactez le support BLUETTI si nécessaire.</li> </ul>

## Questions fréquemment posées (FAQ)

**Q1 :** Conseils d'entretien.

**R :** Pour maintenir le Hub D1 en bon état de fonctionnement :

- Gardez-le propre et sec.
- Assurez une ventilation adéquate autour de celui-ci.

**Q2 :** Comment savoir si la tension de sortie du port pour camping-car, du port allume-cigare et du port DC5521 est de 12 V ou de 24 V ? De plus, comment changer la tension ?

**R :** Vérifiez la tension de sortie avec le voyant du bouton d'alimentation. Quand il est vert, la tension est de 12 volts. S'il est bleu, elle est de 24 volts. Éteignez le Hub D1, puis changez la tension de sortie via l'application BLUETTI. N'oubliez pas de toujours vérifier la tension avant de connecter vos appareils afin d'éviter d'endommager vos appareils et le Hub D1.

**Q3 :** Le Hub D1 est-il doté de fonctions de sécurité ?

**R :** Oui, le Hub D1 comprend plusieurs protections de sécurité, notamment une protection contre les surintensités, les surtensions, les surcharges, les courts-circuits et les surchauffes, ainsi qu'une protection contre les sous-tensions et les surtensions d'entrée.

**Q4 :** Comment surveiller la sortie du Hub D1 lors de sa connexion à la batterie d'extension B300 ou B300K ?

**R :** Téléchargez l'application BLUETTI et connectez-vous au Hub D1 via le Bluetooth. L'application affichera des informations en temps réel, telles que la tension, la puissance de chaque port, la puissance totale et tous les codes d'erreur pouvant survenir.

**Q5 :** Pourquoi le Hub D1 ne peut-il pas être connecté via le Bluetooth lorsqu'il se

**R :** connecte à l'Apex 300 ?

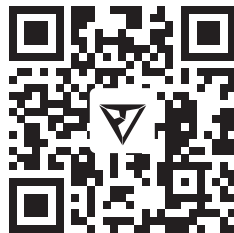
Lorsqu'il est connecté à l'Apex 300, le Bluetooth du Hub D1 entre automatiquement en mode de veille. Cependant, il est toujours possible de surveiller le Hub D1 en connectant l'Apex 300 à l'application via le Bluetooth.

# Mettre à jour le micrologiciel via l'application BLUETTI

Maintenir le micrologiciel à jour est essentiel pour des performances optimales. Pour des instructions détaillées, consultez le manuel d'utilisation de l'application dans l'application. En prenant comme exemple la mise à niveau Elite 200 V2.

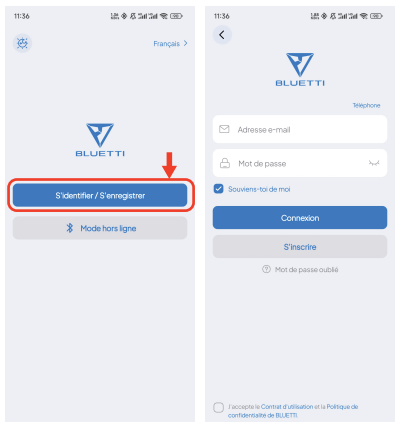
## 1. Télécharger l'application BLUETTI

Scannez le code QR ou recherchez « BLUETTI » dans l'App Store ou Google Play pour télécharger l'application.



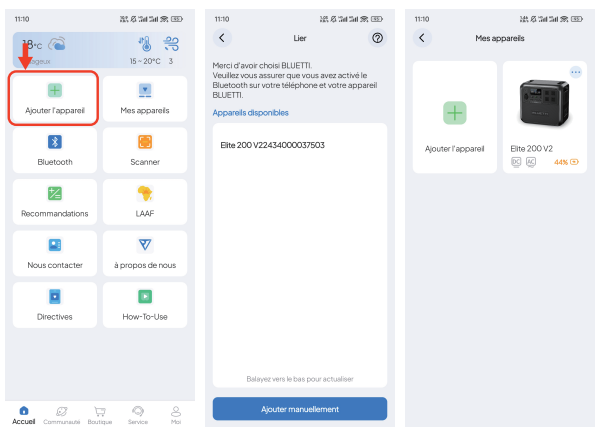
## 2. Se connecter ou s'inscrire

Connectez-vous avec un compte BLUETTI. Si vous n'avez pas de compte, créez-en un en suivant les instructions à l'écran.



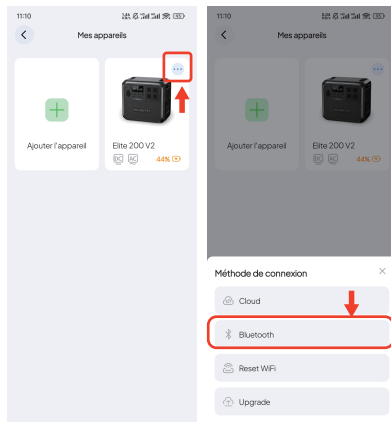
## 3. Lier l'appareil

- Appuyez directement sur **Ajouter un appareil** ou accédez à **Mes appareils > Ajouter un appareil** pour démarrer le processus.
- Sélectionnez l'appareil dans la liste des appareils disponibles ou choisissez **Ajouter manuellement** et saisissez le numéro de série de l'appareil.
- Vous pouvez également appuyer sur **Scanner** sur la page d'accueil ou sur la page **Ajouter un appareil** pour effectuer une liaison via un code QR.



#### 4. Se connecter via Bluetooth

Sur la page Mes appareils, appuyez sur l'appareil et sélectionnez Bluetooth comme méthode de connexion.



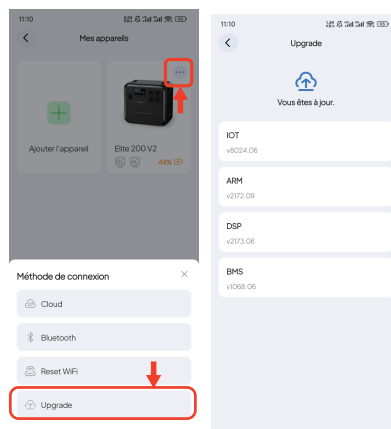
#### 5. Rechercher les mises à jour du micrologiciel

Appuyez sur Mettre à niveau pour accéder à la page Mettre à niveau.

L'application vérifie alors la dernière version du micrologiciel disponible pour l'appareil.

#### 6. Télécharger et installer la mise à jour

Si une nouvelle mise à jour du micrologiciel est disponible, appuyez sur Mettre à niveau et suivez les instructions à l'écran.



#### Remarque :

- Assurez-vous que l'appareil reste sous tension et connecté pendant la mise à jour.
- Gardez votre téléphone et l'appareil proches l'un de l'autre (portée recommandée : 5 m).
- Ne quittez pas l'application avant d'avoir terminé.

## **Avertissement sur les circuits contrôlés**

L'émetteur/récepteur exempt de licence contenu dans le présent appareil est conforme aux CNR d'Innovation, Sciences et Développement économique Canada applicables aux appareils radio exempts de licence. L'exploitation est autorisée aux deux conditions suivantes:

- (1) L'appareil ne doit pas produire de brouillage;
- (2) L'appareil doit accepter tout brouillage radioélectrique subi, même si le brouillage est susceptible d'en compromettre le fonctionnement.

### **Déclaration d'exposition aux radiofréquences IC:( Con bluetooth)**

Cet équipement est conforme aux limites d'exposition IC établies pour un environnement non contrôlé. Cet équipement doit être installé et utilisé avec une distance minimale de 20 cm entre le radiateur et le corps.

### **CAN ICES-003 (B) / NMB-003 (B)**

This Class B digital apparatus complies with Canadian ICES-003.

(Cet appareil numérique de la Classe B conforme à la norme NMB-003 du Canada).

## Need Help? We're here for you!

☎ +1 800-200-2980 (Mon-Sun 9:00-17:00)

✉ [service@bluettipower.com](mailto:service@bluettipower.com)



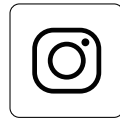
@BLUETTI Official



@bluetti\_inc



@bluetti.inc



@bluetti.inc

## Visit Us

**SHENZHEN POWEROAK NEWENER CO., LTD.**

19F, Block A, Kaidaer Bldg., No. 168 Tong Sha Rd, Shenzhen, China

**BLUETTI Power Inc.**

6185 S Valley View Blvd, Ste D, Las Vegas, NV 89118, US

## Warranty Card

Manufacture Date .....

Sale Date .....

File No. ....

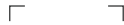
Manufacturer .....

## Warranty Instructions

1. The product comes with a 24-month warranty.
2. After-sale support: [service@bluettipower.com](mailto:service@bluettipower.com)
3. The warranty does not cover:
  - a. Damage caused by incorrect use, unauthorized repair, or disassembly.
  - b. Damage resulting from fire or force majeure events.
  - c. Lack of a clear, complete warranty card with the sales company seal.



**BLUETTI**



## Certificate

Inspector: \_\_\_\_\_

QC: \_\_\_\_\_

Just Power On

P/N: 17.0303.0863-00A0